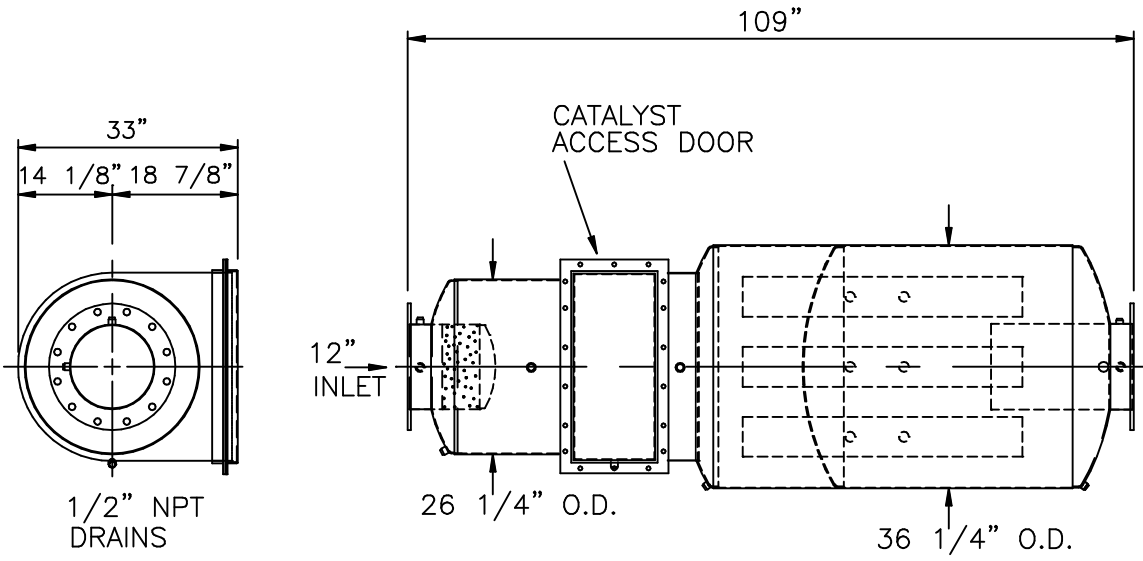


12" INLET FLANGE
 1/2" PLATE, 19" O.D.
 (12) 1" DIA. HOLES
 ON 17"B.C. STRADDLE C.L.

12" OUTLET FLANGE
 1/2" PLATE, 19" O.D.
 (12) 1" DIA. HOLES
 ON 17"B.C. STRADDLE C.L.



SERVICE: RESIDENTIAL TYPE CATALYST EXHAUST SILENCER FOR RECIPROCATING ENGINE

OCTAVE BAND	63	125	250	500	1K	2K	4K	8K
INSERTION LOSS	15	27	27	27	23	23	24	25

NO CREDIT IS TAKEN FOR INSERTION LOSS OF CATALYST.
 OVERALL DBA INSERTION LOSS = 25 dBA WITHOUT CATALYST, 30 dBA WITH CATALYST.

PRESSURE DROP: (PER SIZING DATA)

WITH ONE 26.5" DIA x 3.5" THICK CATALYST PANEL	___" H2O
WITH TWO 26.5" DIA x 3.5" THICK CATALYST PANEL	___" H2O

DESTRUCTION EFFICIENCY: (PER SIZING DATA)

MATERIALS OF CONSTRUCTION:

- SHELL: 10 GA AND 12 GA CARBON STEEL
- HEADS: 10 GA AND 3/16" CARBON STEEL
- CATALYST PANELS: (1) OR (2) 3.5" THICK x 26.5" DIAMETER 304SS
- FLANGES: 1/2" CARBON STEEL

CERTIFICATION

EXTERNAL PAINT: HIGH TEMP BLACK

WEIGHT: 1000 LBS.

CUSTOMER: _____
 CUSTOMER P.O. NO.: _____
 DATE: _____ BY: _____

No.	REVISIONS	APPR.	APPROVED	TJW	11/20/06	SHEET
-----	-----------	-------	----------	-----	----------	-------

MAXIM SILENCERS		10635 BRIGHTON LANE STAFFORD, TX. 77477 PHONE (832) 554-0980 FAX (832) 554-0990	
		<u>EAC3-53-12 CATALYTIC EXHAUST SILENCER</u>	
DRAWN	TJW	11/20/06	ORDER NO.
CHECKED			DRAWING NO.
			EAC3-53-12(11/06)
			REV