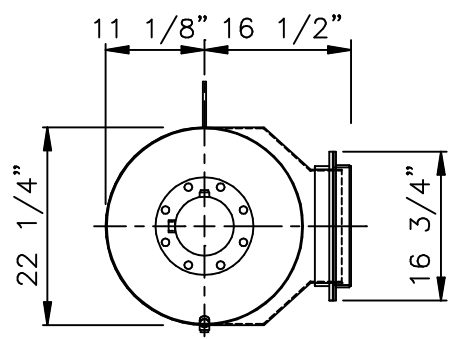
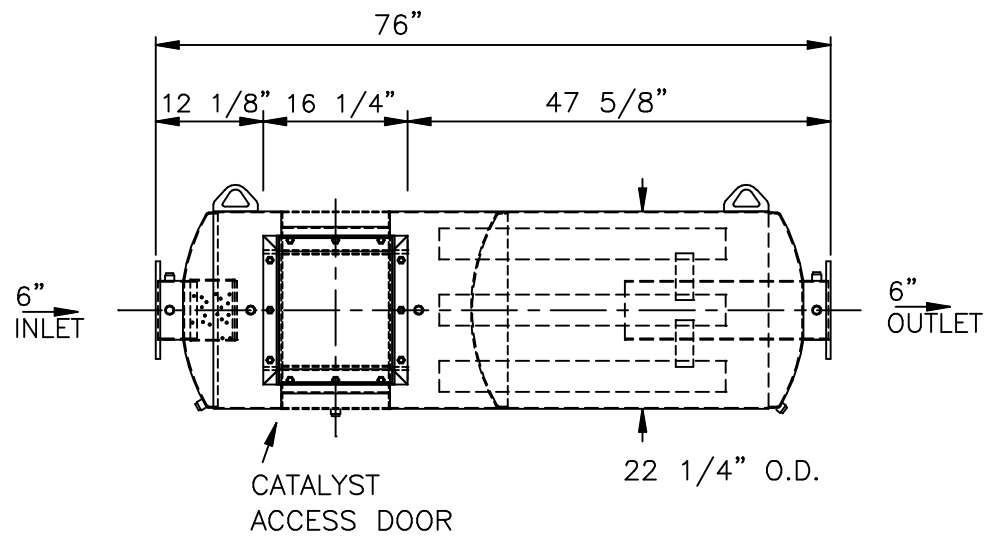


6" INLET FLANGE
 1/2" PLATE, 11" O.D.
 (8) 7/8" DIA. HOLES
 ON 9 1/2" B.C. STRADDLE C.L.

6" OUTLET FLANGE
 1/2" PLATE, 11" O.D.
 (8) 7/8" DIA. HOLES
 ON 9 1/2" B.C. STRADDLE C.L.



1/2" NPT
 DRAINS AND
 SENSOR PORTS



SERVICE: CATALYTIC EXHAUST SILENCER FOR RECIPROCATING ENGINE

OCTAVE BAND	63	125	250	500	1K	2K	4K	8K
INSERTION LOSS	19	30	35	35	30	30	30	30

MATERIALS OF CONSTRUCTION:

- SHELL: 10 GA AND 12 GA CARBON STEEL
- HEADS: 10 GA AND 12 GA CARBON STEEL
- CATALYST PANELS: (1) OR (2) 3.5" THICK x 11 1/2" DIAMETER 304SS
- FLANGES: 1/2" CARBON STEEL

CERTIFICATION

EXTERNAL PAINT: HIGH TEMP BLACK

WEIGHT: 310 LBS.

CUSTOMER: _____
 CUSTOMER P.O. NO.: _____
 DATE: _____ BY: _____

MAXIM SILENCERS

10635 BRIGHTON LANE
 STAFFORD, TX. 77477
 PHONE (832) 554-0980
 FAX (832) 554-0990

EAC4-24-6 CATALYTIC EXHAUST SILENCER

No.	REVISIONS	BY	DATE	APPROVED	.	5/18/07	ORDER NO.	DRAWING NO.	REV
								STD_EAC4-24-6	
							SHEET		