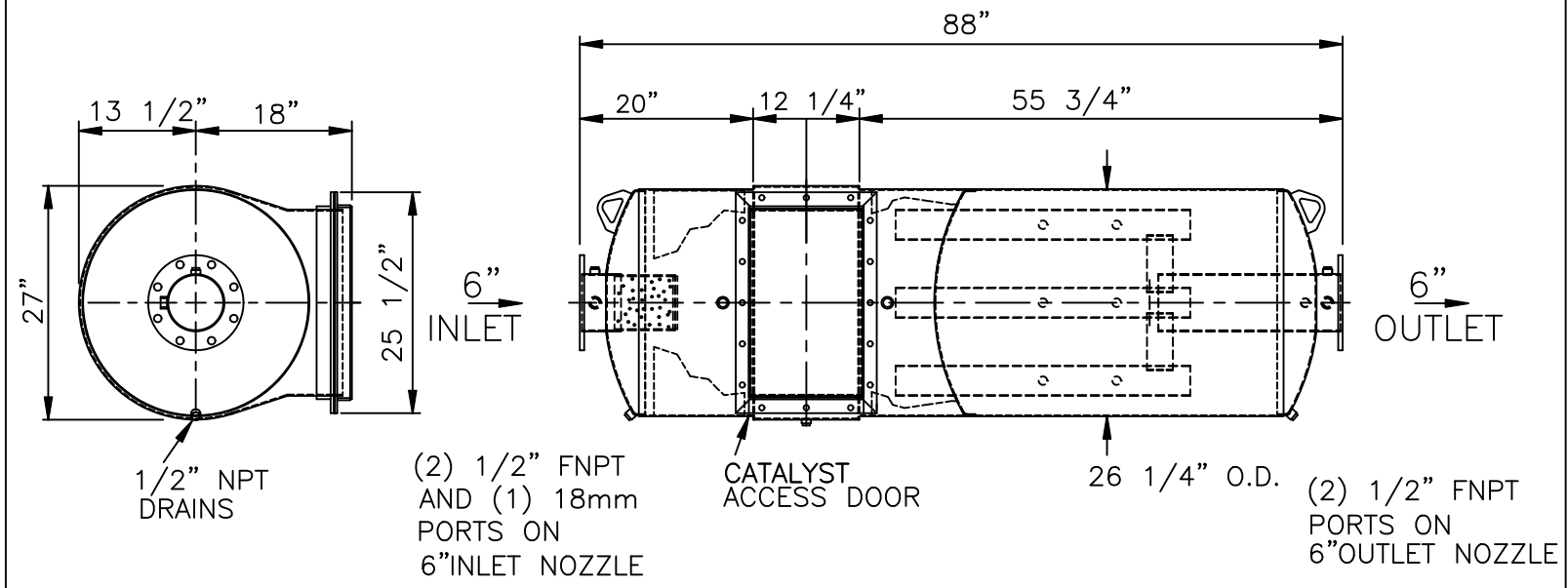


6" INLET FLANGE
 1/2" PLATE, 11" O.D.
 (8) 7/8" DIA. HOLES
 ON 9 1/2" B.C. STRADDLE C.L.

6" OUTLET FLANGE
 1/2" PLATE, 11" O.D.
 (8) 7/8" DIA. HOLES
 ON 9 1/2" B.C. STRADDLE C.L.



SERVICE: CATALYTIC EXHAUST SILENCER FOR RECIPROCATING ENGINE

OCTAVE BAND	<u>63</u>	<u>125</u>	<u>250</u>	<u>500</u>	<u>1K</u>	<u>2K</u>	<u>4K</u>	<u>8K</u>
INSERTION LOSS	19	30	35	35	30	30	30	30

MATERIALS OF CONSTRUCTION:

SHELL: 10 GA AND 12 GA CARBON STEEL
 HEADS: 10 GA CARBON STEEL
 CATALYST PANELS: (1) OR (2) 3.5" THICK x 19.5" DIAMETER 304SS
 FLANGES: 1/2" CARBON STEEL

CERTIFICATION

EXTERNAL PAINT: HIGH TEMP BLACK

WEIGHT: 520 LBS.

CUSTOMER: _____
 CUSTOMER P.O. NO.: _____
 DATE: _____ BY: _____

MAXIM SILENCERS

10635 BRIGHTON LANE
 STAFFORD, TX. 77477
 PHONE (832) 554-0980
 FAX (832) 554-0990

EAC4-39-6 CATALYTIC EXHAUST SILENCER

				DRAWN	TJW	8/7/07	ORDER NO.	DRAWING NO.	REV
				CHECKED				STD_EAC4-39-6	
No.	REVISIONS	BY	DATE	APPROVED	TJW	8/7/07	SHEET		