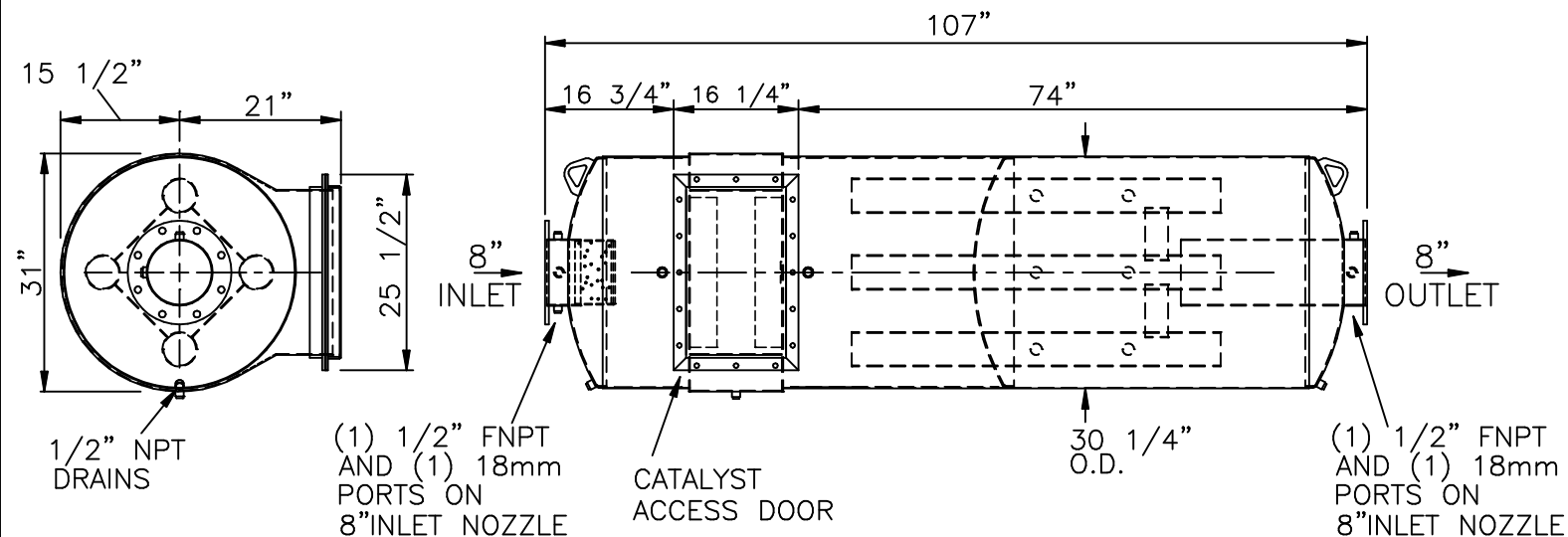


8" INLET FLANGE  
 1/2" PLATE, 13 1/2" O.D.  
 (8) 7/8" DIA. HOLES  
 ON 11 3/4" B.C. STRADDLE C.L.

8" OUTLET FLANGE  
 1/2" PLATE, 13 1/2" O.D.  
 (8) 7/8" DIA. HOLES  
 ON 11 3/4" B.C. STRADDLE C.L.



SERVICE: CATALYTIC EXHAUST SILENCER FOR RECIPROCATING ENGINE

OCTAVE BAND	63	125	250	500	1K	2K	4K	8K
INSERTION LOSS	22	33	37	33	33	33	33	33

MATERIALS OF CONSTRUCTION:

SHELL: 10 GA CARBON STEEL AND 12 GA WITH 16 GA LAMINATIONS  
 HEADS: 3/16" CARBON STEEL  
 CATALYST PANELS: (1) OR (2) 3.5" THICK x 19.5" DIAMETER 304SS  
 FLANGES: 1/2" CARBON STEEL

CERTIFICATION

EXTERNAL PAINT: HIGH TEMP BLACK

WEIGHT: 800 LBS.

CUSTOMER: \_\_\_\_\_

CUSTOMER P.O. NO.: \_\_\_\_\_

DATE: \_\_\_\_\_ BY: \_\_\_\_\_

**MAXIM SILENCERS**

10635 BRIGHTON LANE  
 STAFFORD, TX. 77477  
 PHONE (832) 554-0980  
 FAX (832) 554-0990

EAC4-39-8 CATALYTIC EXHAUST SILENCER

No.	REVISIONS	BY	DATE	APPROVED	TJW	4/10/07	ORDER NO.	DRAWING NO.	REV
								STD_EAC4-39-8	
							SHEET		