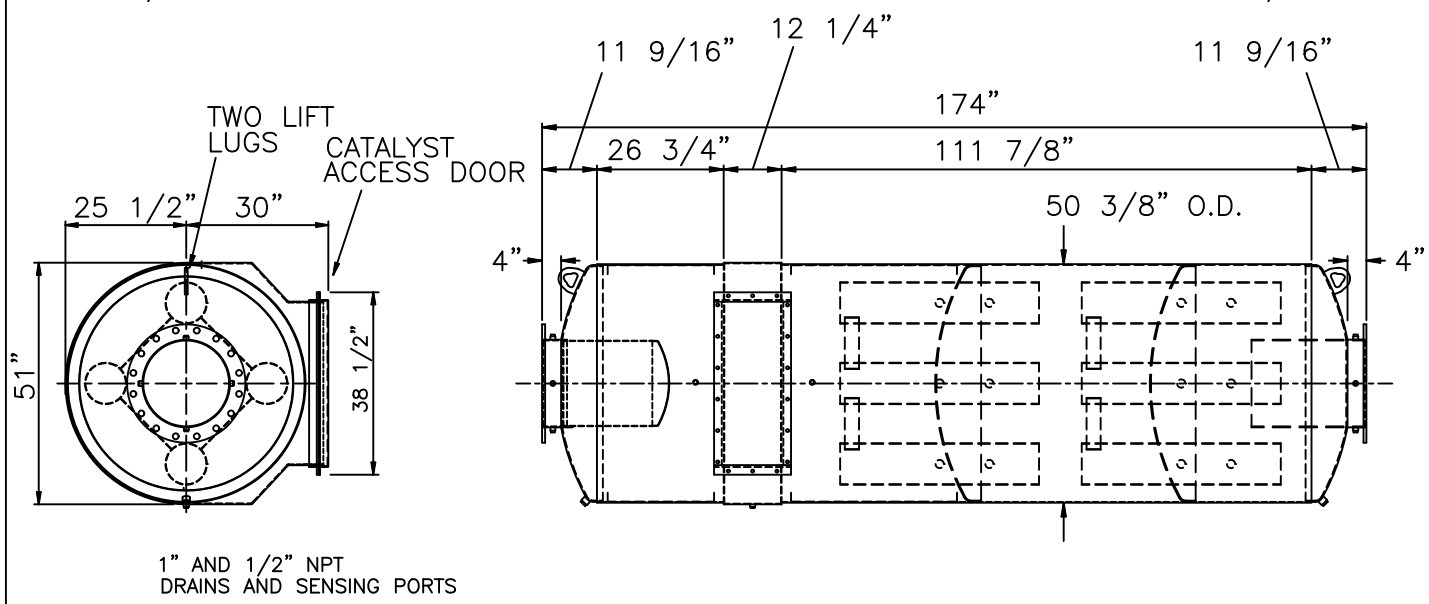


18" INLET FLANGE
 5/8" PLATE, 25" O.D.
 (16) 1 1/4" DIA. HOLES
 ON 22 3/4" B.C. STRADDLE C.L.

18" OUTLET FLANGE
 5/8" PLATE, 25" O.D.
 (16) 1 1/4" DIA. HOLES
 ON 22 3/4" B.C. STRADDLE C.L.



1" AND 1/2" NPT
 DRAINS AND SENSING PORTS

SERVICE: CATALYTIC EXHAUST SILENCER FOR RECIPROCATING ENGINE

OCTAVE BAND	<u>63</u>	<u>125</u>	<u>250</u>	<u>500</u>	<u>1K</u>	<u>2K</u>	<u>4K</u>	<u>8K</u>
INSERTION LOSS	20	35	35	35	30	30	30	20

PRESSURE DROP: (5.5)*(VELOCITY HEAD IN 18") + CATALYST PANEL PRESSURE DROP

CATALYST DESTRUCTION EFFICIENCY: VARIES WITH APPLICATION

MATERIALS OF CONSTRUCTION:

- SHELL: 0.1875" CARBON STEEL WITH 16 GA INTERNAL LAMINATIONS
- HEADS: 1/4" CARBON STEEL
- CATALYST PANELS: (1) OR (2) 3.5" THICK x 33.5" DIAMETER 304SS
- FLANGES: 5/8" CARBON STEEL
- INLET AND OUTLET NOZZLES: 0.1875" CARBON STEEL
- INLET DIFFUSER: 10 GA CARBON STEEL PERFO WITH 12 GA F&D HEAD

EXTERNAL PAINT: HIGH TEMP BLACK

WEIGHT:
 WITH ONE PANEL: 3025 LBS
 WITH TWO PANELS: 3110 LBS

CERTIFICATION

CUSTOMER: _____
 CUSTOMER P.O. NO.: _____
 DATE: _____ BY: _____

NO.	REVISIONS	BY	DATE

MAXIM SILENCERS

10635 BRIGHTON LANE
 STAFFORD, TX, 77477
 PHONE (832) 554-0980
 FAX (832) 554-0990

EAC4-67-18 CATALYTIC EXHAUST SILENCER

DRAWN	TJW	9/17/07	ORDER NO.	DRAWING NO.	REV
CHECKED				EAC4-67-18_STD	
APPROVED	TJW	9/17/07			