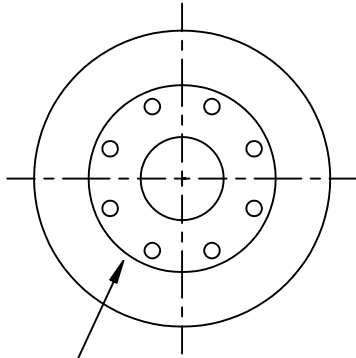
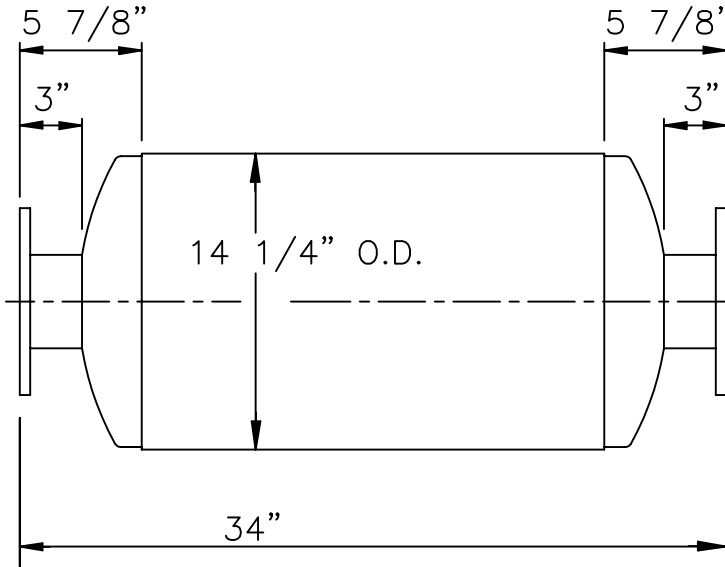


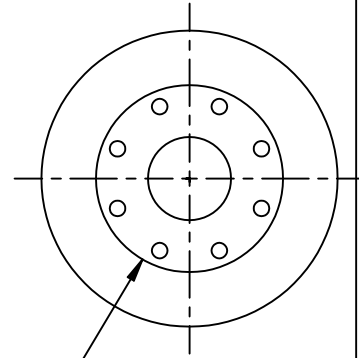
INLET END VIEW



4" INLET FLANGE  
1/2" PLATE, 9" O.D.  
(8) 3/4" DIA HOLES  
ON 7 1/2" B.C.,  
STRADDLE C.L.



OUTLET END VIEW



4" OUTLET FLANGE  
1/2" PLATE, 9" O.D.  
(8) 3/4" DIA HOLES  
ON 7 1/2" B.C.,  
STRADDLE C.L.

NOTES :

1. SERVICE: EXHAUST SILENCER FOR RECIPROCATING ENGINE
2. NOISE REDUCTION:
 

OCTAVE BAND	63	125	250	500	1K	2K	4K	8K
ATTENUATION	8	15	23	27	23	16	16	16
3. SILENCER PRESSURE DROP: (4)\*(Velocity Head In 4" I.D. Duct)
4. MATERIALS OF CONSTRUCTION :  
SHELL: 12 GA CARBON STEEL  
HEADS AND BAFFLE: 12 GA CARBON STEEL
5. EXTERNAL PAINT: HIGH TEMPERATURE BLACK
6. WEIGHT: 80 LBS

CERTIFICATION

CUSTOMER: \_\_\_\_\_  
 CUSTOMER P.O. NO.: \_\_\_\_\_  
 \_\_\_\_\_  
 \_\_\_\_\_  
 DATE: \_\_\_\_\_ BY: \_\_\_\_\_

MAXIM SILENCERS

10635 BRIGHTON LANE  
STAFFORD, TX, 77477  
PHONE (832) 554-0980  
FAX (832) 554-0990

4" M21 EXHAUST SILENCER

				DRAWN	TJW	4/17/01	ORDER NO.	DRAWING NO.	REV
				CHECKED				STD4M21	
No.	REVISIONS	APPR.	APPROVED				SHEET		