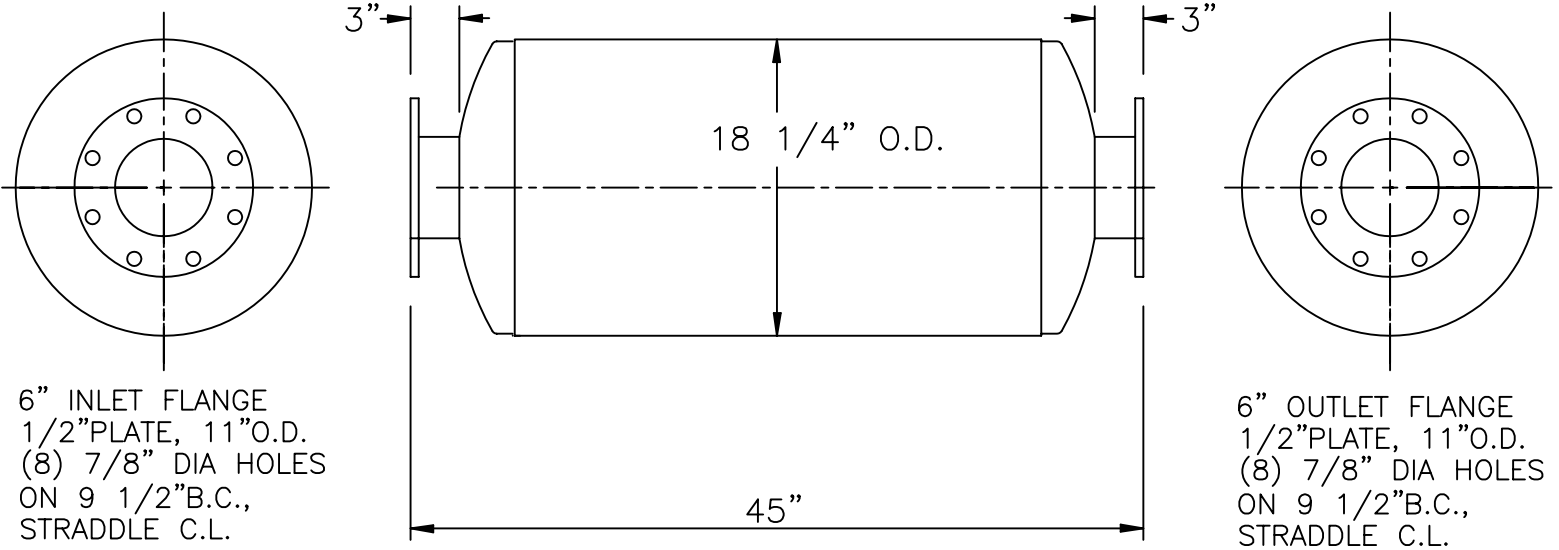


INLET END VIEW

OUTLET END VIEW



6" INLET FLANGE
1/2" PLATE, 11" O.D.
(8) 7/8" DIA HOLES
ON 9 1/2" B.C.,
STRADDLE C.L.

6" OUTLET FLANGE
1/2" PLATE, 11" O.D.
(8) 7/8" DIA HOLES
ON 9 1/2" B.C.,
STRADDLE C.L.

NOTES :

1. SERVICE: EXHAUST SILENCER FOR RECIPROCATING ENGINE
2. NOISE REDUCTION:

OCTAVE BAND	<u>63</u>	<u>125</u>	<u>250</u>	<u>500</u>	<u>1K</u>	<u>2K</u>	<u>4K</u>	<u>8K</u>
ATTENUATION	<u>7</u>	<u>13</u>	<u>23</u>	<u>26</u>	<u>20</u>	<u>16</u>	<u>16</u>	<u>17</u>
3. SILENCER PRESSURE DROP: (4.0)*(Velocity Head In 6" I.D. Duct)
4. MATERIALS OF CONSTRUCTION:
SHELL: 12 GAGE CARBON STEEL
HEADS AND BAFFLE: 12 GAGE F&D CARBON STEEL
5. EXTERNAL PAINT: FLAT BLACK, HIGH TEMPERATURE
6. WEIGHT: 145 LBS

CERTIFICATION

CUSTOMER: _____
 CUSTOMER P.O. NO.: _____

 DATE: _____ BY: _____

MAXIM SILENCERS

10635 BRIGHTON LANE
STAFFORD, TX. 77477
PHONE (832) 554-0980
FAX (832) 554-0990

6" M21 EXHAUST SILENCER

				DRAWN	TJW	10/22/01	ORDER NO.	DRAWING NO.	REV
				CHECKED				STD_6M21	
No.	REVISIONS	APPR.	APPROVED				SHEET		