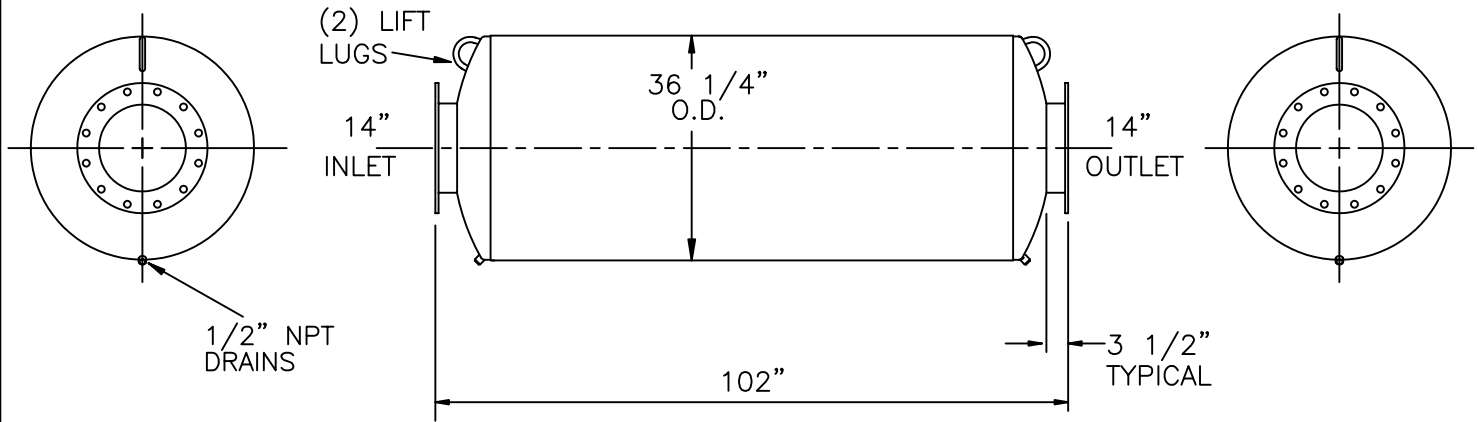


INLET FLANGE:
 1/2" PLATE, 14" 150# DRILLING
 21" O.D. WITH (12) 1 1/8" ϕ
 HOLES ON 18 3/4" B.C.,
 STRADDLE C.L.

OUTLET FLANGE:
 1/2" PLATE, 14" 150# DRILLING
 21" O.D. WITH (12) 1 1/8" ϕ
 HOLES ON 18 3/4" B.C.,
 STRADDLE C.L.



SERVICE: EXHAUST SILENCER FOR RECIPROCATING ENGINE

OCTAVE BAND	63	125	250	500	1K	2K	4K	8K
INSERTION LOSS	20	30	29	24	20	19	20	22

SILENCER PRESSURE DROP: 4*Velocity Head in 14" Duct

MATERIALS OF CONSTRUCTION: CARBON STEEL

SHELL: 12 GAGE CARBON STEEL
 HEADS AND BAFFLES: 3/16", F&D
 FLANGES: 1/2" PLATE

EXTERNAL PAINT: FLAT BLACK, HIGH TEMPERATURE

WEIGHT: 965 LBS

CERTIFICATION

CUSTOMER: _____

CUSTOMER P.O. NO.: _____

DATE: _____ BY: _____

				MAXIM SILENCERS		10635 BRIGHTON LANE STAFFORD, TX. 77477 PHONE (832) 554-0980 FAX (832) 554-0990			
						14" M31 EXHAUST SILENCER			
				DRAWN	TJW	8/12/02	ORDER NO.	DRAWING NO.	REV
				CHECKED	TL	8/12/02		STD_14M31	
No.	REVISIONS	APPR.	APPROVED	TJW	8/12/02			Sheet 1 of 1	