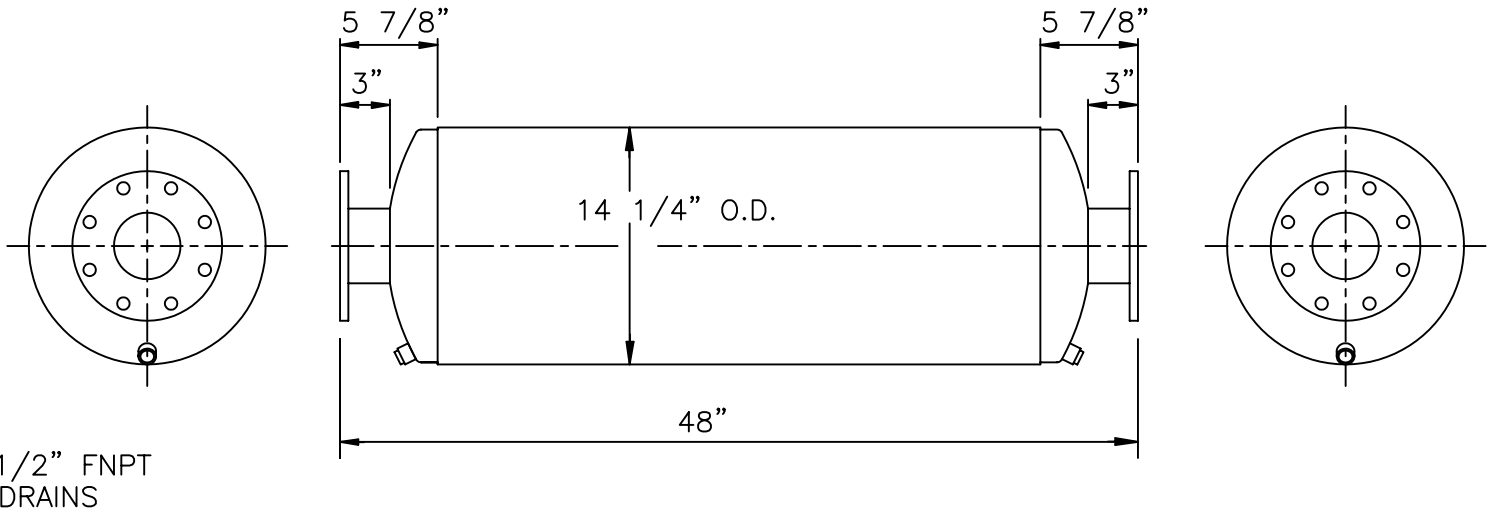


4" INLET FLANGE  
 1/2" PLATE, 9" O.D.  
 (8) 3/4" DIA HOLES  
 ON 7 1/2" B.C.,  
 STRADDLE C.L.

4" OUTLET FLANGE  
 1/2" PLATE, 9" O.D.  
 (8) 3/4" DIA HOLES  
 ON 7 1/2" B.C.,  
 STRADDLE C.L.



NOTES :

1. SERVICE: EXHAUST SILENCER FOR RECIPROCATING ENGINE
2. NOISE REDUCTION:
 

OCTAVE BAND	63	125	250	500	1K	2K	4K	8K
ATTENUATION	11	19	29	28	22	20	19	20
3. SILENCER PRESSURE DROP: (4)\*(Velocity Head In 4" I.D. Duct)
4. MATERIALS OF CONSTRUCTION :  
 SHELL: 12 GA CARBON STEEL  
 HEADS AND BAFFLE: 12 GA CARBON STEEL
5. EXTERNAL PAINT: HIGH TEMPERATURE BLACK
6. WEIGHT: 110 LBS

CERTIFICATION

CUSTOMER: \_\_\_\_\_  
 CUSTOMER P.O. NO.: \_\_\_\_\_  
 \_\_\_\_\_  
 \_\_\_\_\_  
 DATE: \_\_\_\_\_ BY: \_\_\_\_\_

MAXIM SILENCERS

10635 BRIGHTON LANE  
 STAFFORD, TX. 77477  
 PHONE (832) 554-0980  
 FAX (832) 554-0990

4" M31 EXHAUST SILENCER

				DRAWN	TJW	9/28/04	ORDER NO.	DRAWING NO.	REV
				CHECKED				STD_4M31	
No.	REVISIONS	APPR.	APPROVED				SHEET		