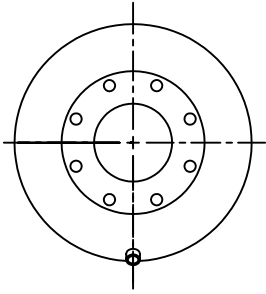
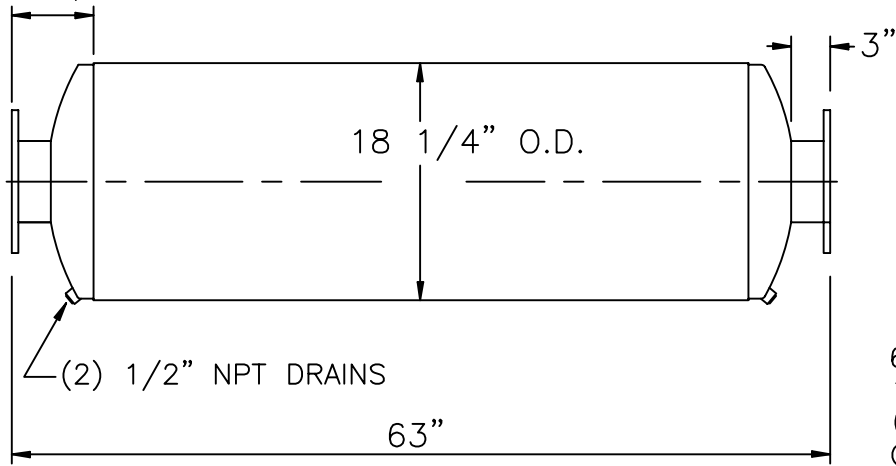


INLET END VIEW



6" INLET FLANGE  
1/2" PLATE, 11" O.D.  
(8) 7/8" DIA HOLES  
ON 9 1/2" B.C.,  
STRADDLE C.L.

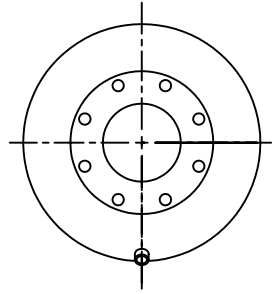
6 1/4"



(2) 1/2" NPT DRAINS

63"

OUTLET END VIEW



6" OUTLET FLANGE  
1/2" PLATE, 11" O.D.  
(8) 7/8" DIA HOLES  
ON 9 1/2" B.C.,  
STRADDLE C.L.

NOTES :

1. SERVICE: EXHAUST SILENCER FOR RECIPROCATING ENGINE
2. NOISE REDUCTION:
 

OCTAVE BAND	<u>63</u>	<u>125</u>	<u>250</u>	<u>500</u>	<u>1K</u>	<u>2K</u>	<u>4K</u>	<u>8K</u>
ATTENUATION	12	19	30	29	24	20	19	20
3. SILENCER PRESSURE DROP: (4.0)\*(Velocity Head In 6" I.D. Duct)
4. MATERIALS OF CONSTRUCTION:
  - SHELL: 12 GAGE CARBON STEEL
  - HEADS AND BAFFLE: 12 GAGE F&D CARBON STEEL
5. EXTERNAL PAINT: FLAT BLACK, HIGH TEMPERATURE
6. WEIGHT: 170 LBS

CERTIFICATION

CUSTOMER: \_\_\_\_\_

CUSTOMER P.O. NO.: \_\_\_\_\_

DATE: \_\_\_\_\_ BY: \_\_\_\_\_

MAXIM SILENCERS

10635 BRIGHTON LANE  
STAFFORD, TX. 77477  
PHONE (832) 554-0980  
FAX (832) 554-0990

6" M31 EXHAUST SILENCER

				DRAWN	TJW	11/25/02	ORDER NO.	DRAWING NO.	REV
				CHECKED				STD_6M31	
No.	REVISIONS	APPR.	APPROVED				SHEET		