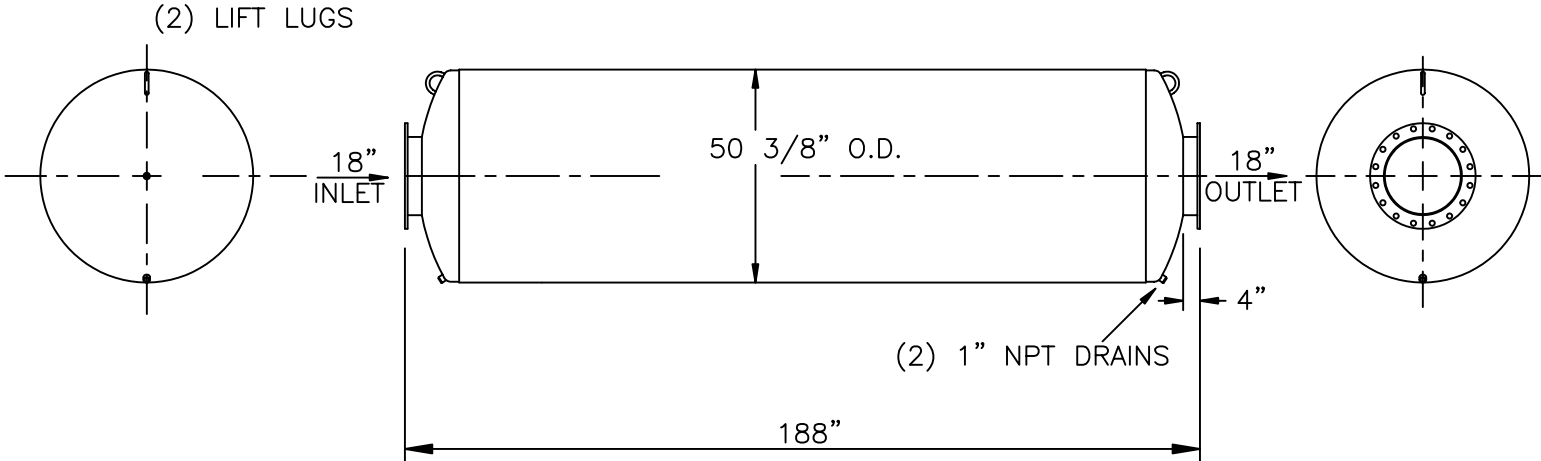


OUTLET FLANGE:
 5/8" PLATE, 18" 150# DRILLING
 25" O.D. WITH (16) 1 1/4" ϕ
 HOLES ON 22 3/4" B.C.,
 STRADDLE C.L.



INLET FLANGE:
 5/8" PLATE, 18" 150# DRILLING
 25" O.D. WITH (16) 1 1/4" ϕ
 HOLES ON 22 3/4" B.C.,
 STRADDLE C.L.

SERVICE: EXHAUST SILENCER FOR RECIPROCATING ENGINE

OCTAVE BAND	63	125	250	500	1K	2K	4K	8K
INSERTION LOSS	30	37	32	31	28	28	28	29

SILENCER PRESSURE DROP: (5.5) * (Velocity Head In 18" Duct)

MATERIALS OF CONSTRUCTION: CARBON STEEL

- SHELL: 3/16"
- HEADS AND BAFFLES: 1/4" F&D
- FLANGES: 1/2" AND 5/8" PLATES

CERTIFICATION

EXTERNAL PAINT: FLAT BLACK, HIGH TEMPERATURE

WEIGHT: 3300 LBS

CUSTOMER: _____

CUSTOMER P.O. NO.: _____

DATE: _____ BY: _____

				MAXIM SILENCERS		10635 BRIGHTON LANE STAFFORD, TX. 77477 PHONE (832) 554-0980 FAX (832) 554-0990			
				18" M51 EXHAUST SILENCER					
				DRAWN	TJW	11/26/02	ORDER NO.	DRAWING NO.	REV
				CHECKED				STD_18M51	
No.	REVISIONS	APPR.	APPROVED				SHEET	Sheet 1 of 1	