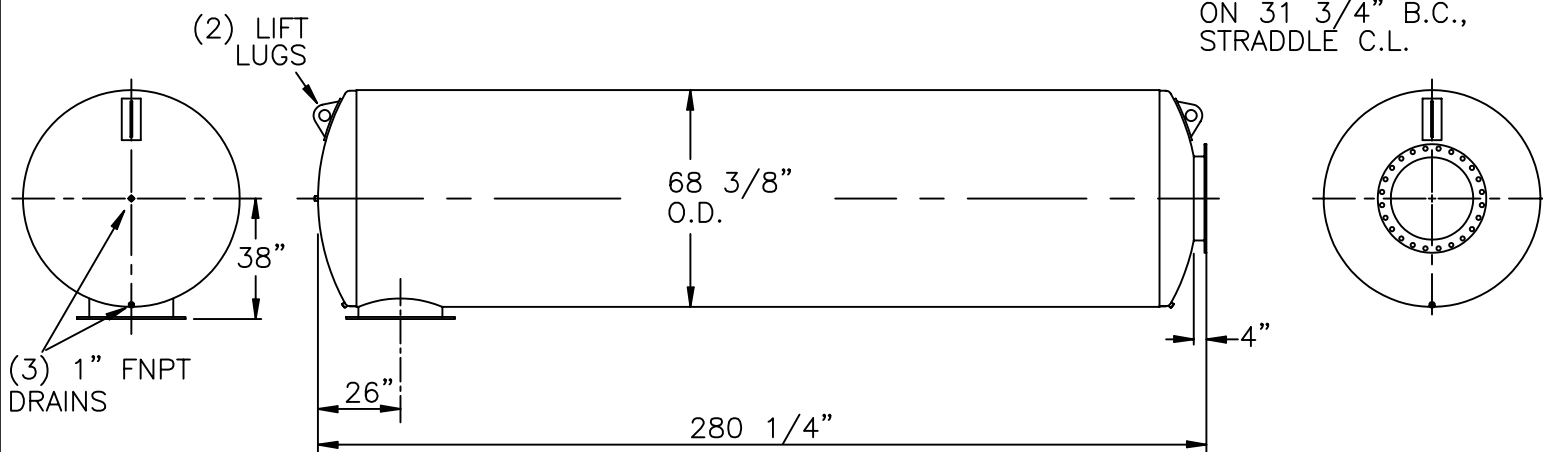


26" OUTLET FLANGE  
 5/8" PLATE, 34 1/4" O.D.  
 (24) 1 3/8" DIA HOLES  
 ON 31 3/4" B.C.,  
 STRADDLE C.L.



26" INLET FLANGE  
 5/8" PLATE, 34 1/4" O.D.  
 (24) 1 3/8" DIA HOLES  
 ON 31 3/4" B.C.,  
 STRADDLE C.L.

NOTES :

1. SERVICE: EXHAUST SILENCER FOR RECIPROCATING ENGINE
2. NOISE REDUCTION:  

OCTAVE BAND	63	125	250	500	1K	2K	4K	8K
ATTENUATION	30	35	35	30	28	28	28	29
3. SILENCER PRESSURE DROP: 7.4" H2O AT 26415 CFM, 800°F
4. MATERIALS OF CONSTRUCTION :  
 SHELL : 3/16" CARBON STEEL  
 HEADS AND BAFFLES : 1/4" CARBON STEEL
5. EXTERNAL PAINT: HIGH TEMPERATURE BLACK
6. WEIGHT: 7200 LBS
7. SILENCER MAY BE INSTALLED HORIZONTAL OR VERTICAL.

CERTIFICATION

CUSTOMER: \_\_\_\_\_

CUSTOMER P.O. NO.: \_\_\_\_\_

DATE: \_\_\_\_\_ BY: \_\_\_\_\_

MAXIM SILENCERS

10635 BRIGHTON LANE  
 STAFFORD, TX 77477  
 PHONE (832) 554-0980  
 FAX (832) 554-0990

26" M51 EXHAUST SILENCER  
 (WITH SIDE INLET)

				DRAWN	TJW	3/20/02	ORDER NO.	DRAWING NO.	REV
				CHECKED					
No.	REVISIONS	APPR.	APPROVED				SHEET		