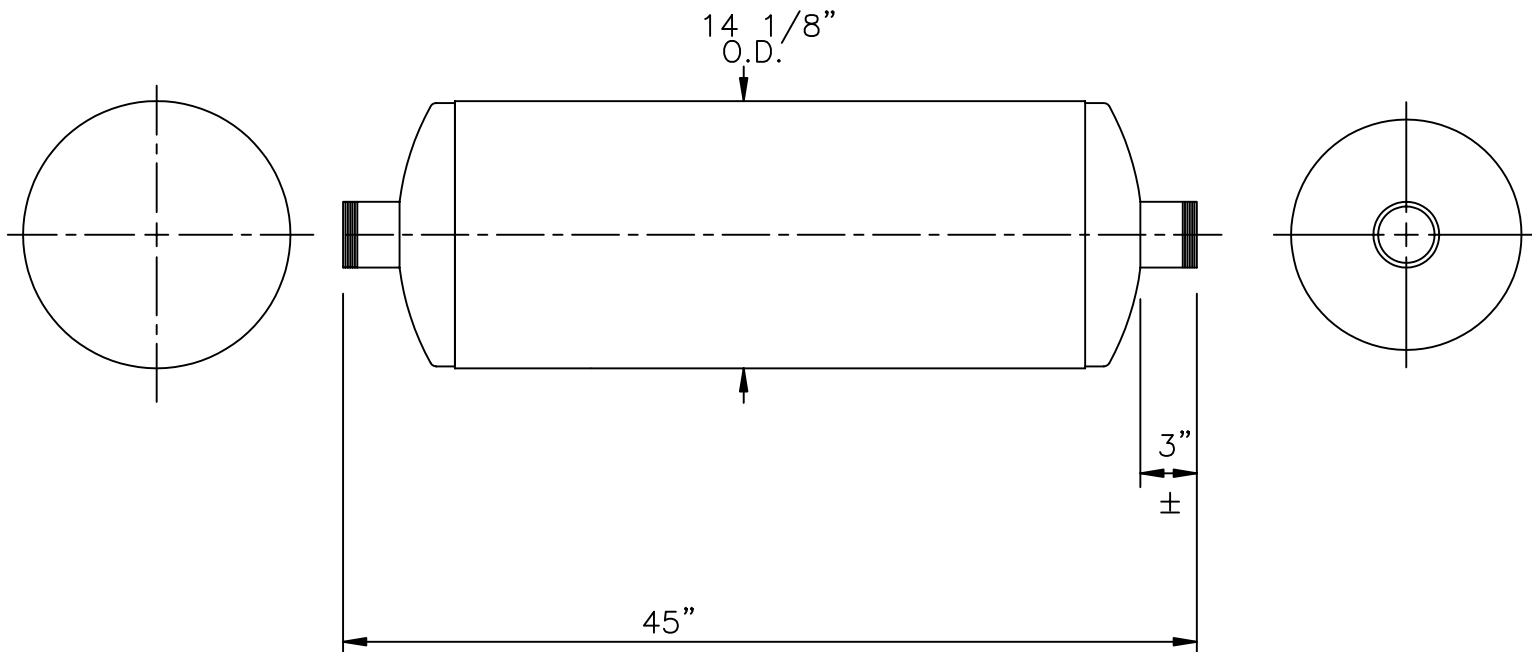


INLET AND OUTLET:  
2 1/2" MNPT



SERVICE: EXHAUST SILENCER FOR RECIPROCATING ENGINE

OCTAVE BAND	63	125	250	500	1K	2K	4K	8K
INSERTION LOSS	8	22	30	30	30	28	28	28

SILENCER PRESSURE DROP: (4.0)\*(Velocity Head In 3" I.D. Duct)

MATERIALS OF CONSTRUCTION: CARBON STEEL

SHELL: 12 GAGE  
HEADS AND BAFFLES: 12 GAGE, F&D  
INLET AND OUTLET: 3" SCH 40, MNPT

EXTERNAL PAINT: FLAT BLACK, HIGH TEMPERATURE

WEIGHT: 80 LBS

CERTIFICATION

CUSTOMER: \_\_\_\_\_

CUSTOMER P.O. NO.: \_\_\_\_\_

DATE: \_\_\_\_\_ BY: \_\_\_\_\_

				<b>MAXIM SILENCERS</b>		10635 BRIGHTON LANE STAFFORD, TX. 77477 PHONE (832) 554-0980 FAX (832) 554-0990			
								<u>3"M51 EXHAUST SILENCER</u>	
				DRAWN	TJW	8/1/05	ORDER NO.	DRAWING NO.	REV
				CHECKED				STD3M51	
No.	REVISIONS	APPR.	APPROVED					Sheet 1 of 1	