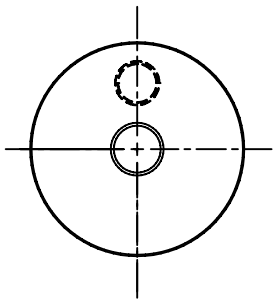
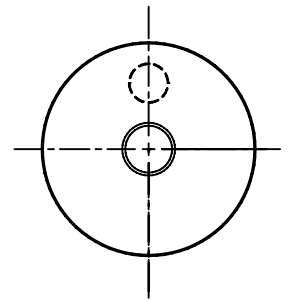
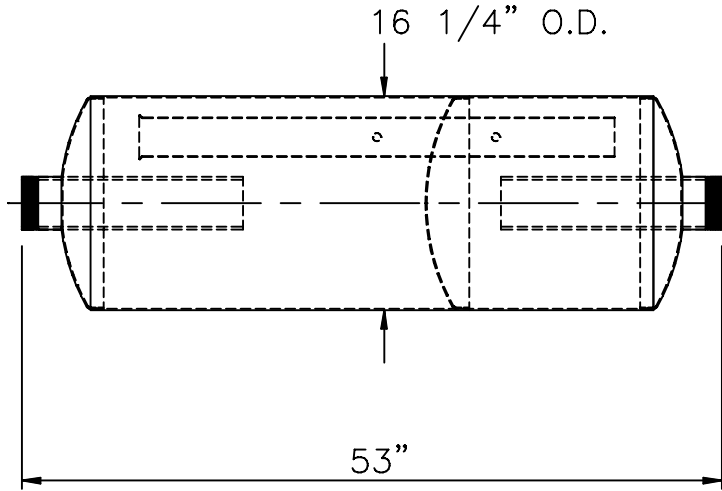


INLET END VIEW

OUTLET END VIEW



3 1/2" SCH 40
MNPT INLET



3 1/2" SCH 40
MNPT OUTLET

NOTES :

1. SERVICE: EXHAUST SILENCER FOR RECIPROCATING ENGINE
2. NOISE REDUCTION:

OCTAVE BAND	63	125	250	500	1K	2K	4K	8K
ATTENUATION	17	30	35	35	31	28	28	28
3. SILENCER PRESSURE DROP: (4.0)*(Velocity Head In 3 1/2" SCH 40 PIPE
4. MATERIALS OF CONSTRUCTION:
 - SHELL: 12 GAGE CARBON STEEL
 - HEADS AND BAFFLE: 12 GAGE F&D CARBON STEEL
5. EXTERNAL PAINT: FLAT BLACK, HIGH TEMPERATURE
6. WEIGHT: 95 LBS

CUSTOMER: _____ CERTIFICATION

CUSTOMER P.O. NO.: _____

DATE: _____ BY: _____

MAXIM SILENCERS

10635 BRIGHTON LANE
 STAFFORD, TX. 77477
 PHONE (832) 554-0980
 FAX (832) 554-0990

3 1/2" M51 EXHAUST SILENCER

				DRAWN	TJW	6/12/07	ORDER NO.	DRAWING NO.	REV
				CHECKED				STD_3 1/2 M51	
NO.	REVISIONS	BY	DATE	APPROVED	TJW	6/12/07	SHEET		