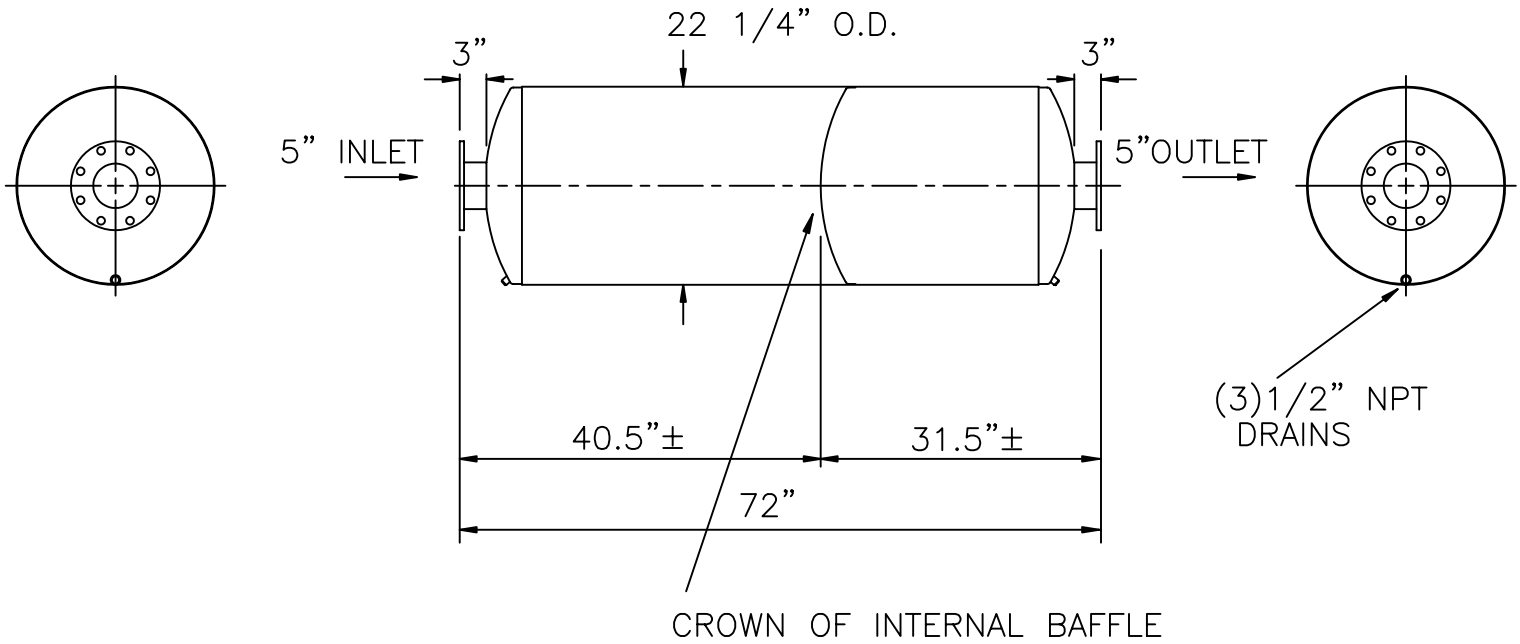


5" INLET AND OUTLET FLANGES
 1/2" PLATE, 10" O.D.
 (8) 7/8" DIA. HOLES
 ON 8 1/2" B.C. STRADDLE C.L.



SERVICE: HOSPITAL GRADE EXHAUST SILENCER FOR ENGINE

OCTAVE BAND	63	125	250	500	1K	2K	4K	8K
INSERTION LOSS	19	30	37	36	31	28	28	28

PRESSURE DROP: (4.0)(Velocity Head In 5" I.D. Duct)

MATERIALS OF CONSTRUCTION:

SHELL : DOUBLE WRAP 16 GA CARBON STEEL
 HEADS : 10 GA CARBON STEEL

CERTIFICATION

CUSTOMER: _____

CUSTOMER P.O. NO.: _____

EXTERNAL PAINT: HIGH TEMP BLACK

WEIGHT : 255 LBS.

DATE: _____ BY: _____

MAXIM SILENCERS

10635 BRIGHTON LANE
 STAFFORD, TX 77477
 PHONE (832) 554-0980
 FAX (832) 554-0990

5" M51 EXHAUST SILENCER

				DRAWN	TJW	1/30/04	ORDER NO.	DRAWING NO.	REV
				CHECKED				STD5M51	
No.	REVISIONS	APPR.	APPROVED						