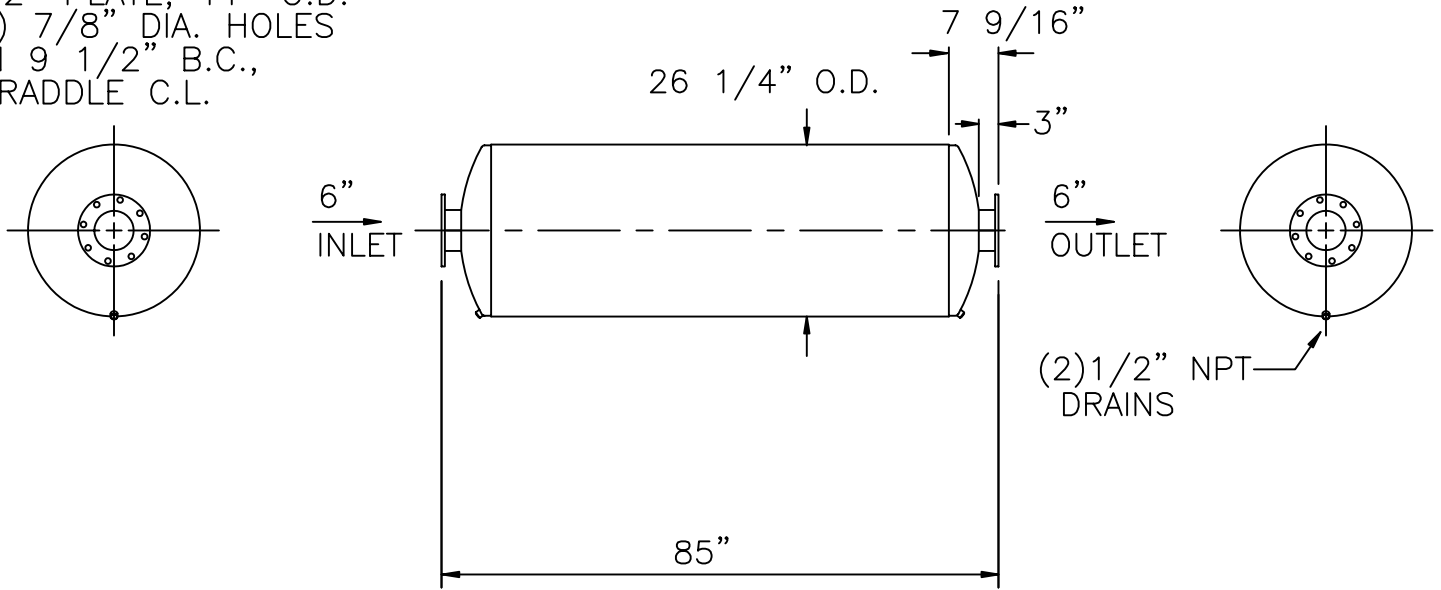


6" INLET AND OUTLET FLANGES
 1/2" PLATE, 11" O.D.
 (8) 7/8" DIA. HOLES
 ON 9 1/2" B.C.,
 STRADDLE C.L.



SERVICE : EXHAUST SILENCER FOR RECIPROCATING ENGINE

PRESSURE DROP: (4.0)*(Velocity Head In 6" Duct)

OCTAVE BAND	63	125	250	500	1K	2K	4K	8K
INSERTION LOSS	19	29	35	34	31	28	28	28

MATERIALS OF CONSTRUCTION :

SHELL : DOUBLE WRAP 16 GA CARBON STEEL
 HEADS : 10 GA CARBON STEEL

CERTIFICATION

CUSTOMER: _____

CUSTOMER P.O. NO.: _____

EXTERNAL PAINT : HIGH TEMP BLACK

WEIGHT : 370 LBS.

DATE: _____ BY: _____

MAXIM SILENCERS | 10635 BRIGHTON LANE
 STAFFORD, TX 77477
 PHONE (832) 554-0980
 FAX (832) 554-0990

6" M51 EXHAUST SILENCER

				DRAWN	TJW	10/31/01	ORDER NO.	DRAWING NO.	REV
				CHECKED				STD6M51	
No.	REVISIONS	APPR.	APPROVED				SHEET	Sheet 1 of 1	