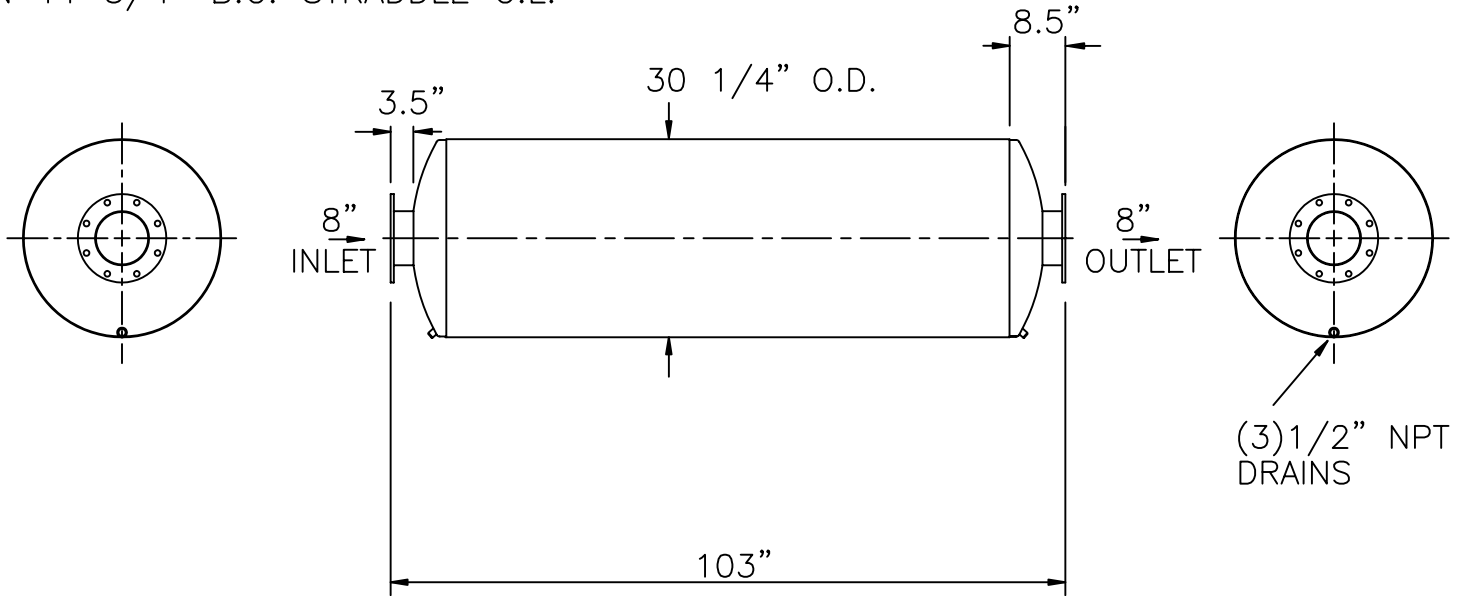


8" INLET AND OUTLET FLANGES
 1/2" PLATE, 13 1/2" O.D.
 (8) 7/8" DIA. HOLES
 ON 11 3/4" B.C. STRADDLE C.L.



SERVICE: EXHAUST SILENCER FOR ENGINE

OCTAVE BAND	63	125	250	500	1K	2K	4K	8K
INSERTION LOSS	22	30	35	33	29	28	28	29

PRESSURE DROP: 4*Velocity Head In 8" I.D. Duct

MATERIALS OF CONSTRUCTION:

SHELL: DOUBLE WRAP 16 GA CARBON STEEL
 HEADS: 3/16" CARBON STEEL

CERTIFICATION

CUSTOMER: _____

CUSTOMER P.O. NO.: _____

EXTERNAL PAINT: HIGH TEMP BLACK

WEIGHT: 585 LBS.

DATE: _____ BY: _____

MAXIM SILENCERS

10635 BRIGHTON LANE
 STAFFORD, YX. 77477
 PHONE (832) 554-0980
 FAX (832) 554-0990

8" M51 EXHAUST SILENCER

				DRAWN	TJW	8/12/04	ORDER NO.	DRAWING NO.	REV
				CHECKED				STD_8M51	
No.	REVISIONS	APPR.	APPROVED				SHEET	Sheet 1 of 1	