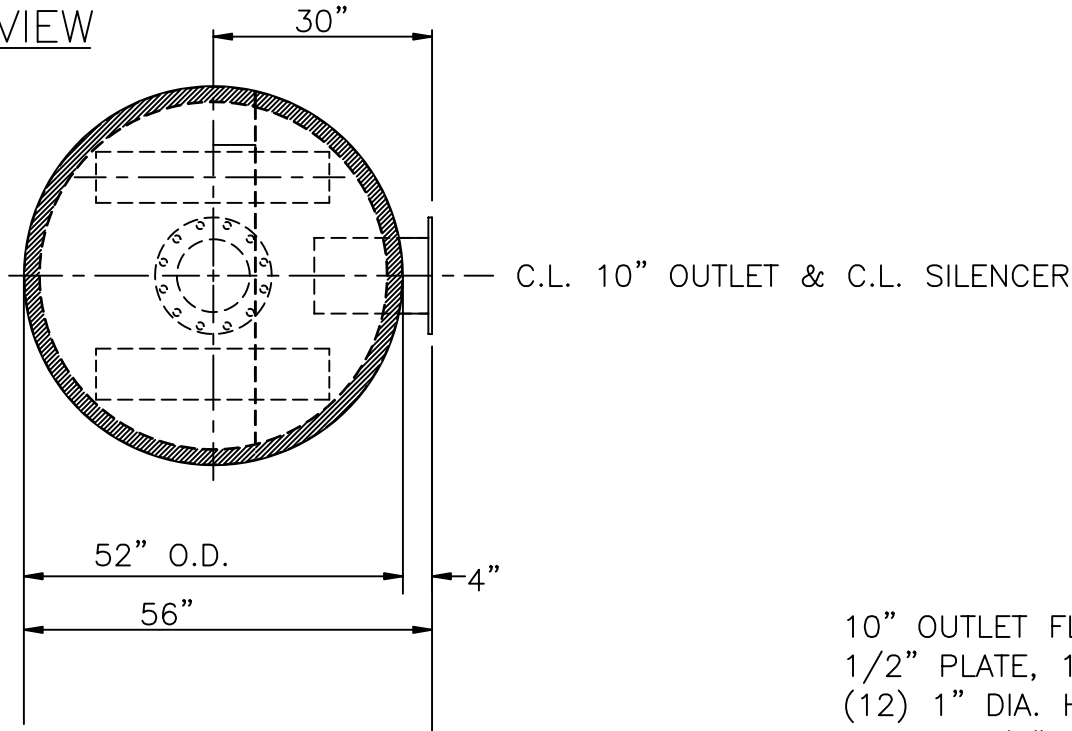
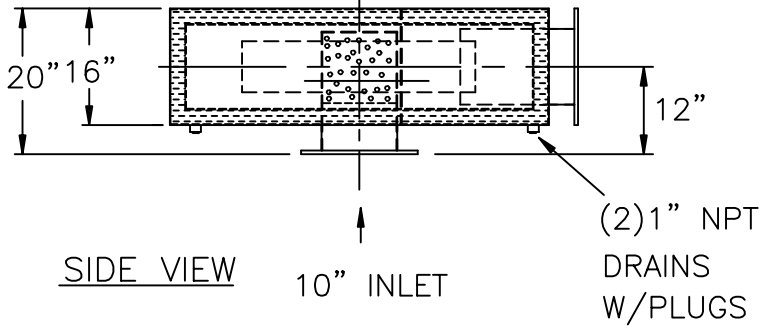


TOP VIEW



10" OUTLET FLANGE
 1/2" PLATE, 16" O.D.
 (12) 1" DIA. HOLES
 ON 14 1/4" B.C.
 STRADDLE C.L.



10" INLET FLANGE
 1/2" PLATE, 16" O.D.
 (12) 1" DIA. HOLES
 ON 14 1/4" B.C.
 STRADDLE C.L.

MATERIALS OF CONSTRUCTION:

- SHELL: 12 GAGE CARBON STEEL
- HEADS: 10 GAGE CARBON STEEL
- PERFO: 12 GA C.S.
- PACKING: 2" FIBERGLASS (TOP, BOTTOM, SIDE WALL)

CERTIFICATION

CUSTOMER: _____

CUSTOMER P.O. NO.: _____

DATE: _____ BY: _____

EXTERNAL PAINT: HIGH TEMP BLACK

WEIGHT: 650 LBS.

MAXIM SILENCERS

10635 BRIGHTON LANE
 STAFFORD, TX 77477
 PHONE (832) 554-0980
 FAX (832) 554-0990

10"MD26 COMPACT EXHAUST SILENCER
 (CRITICAL GRADE, INTERNALLY INSULATED)

DRAWN	TJW	7/2/03	ORDER NO.	DRAWING NO.	REV
CHECKED				STD_10MD26	

No.	REVISIONS	APPR.	APPROVED			
-----	-----------	-------	----------	--	--	--