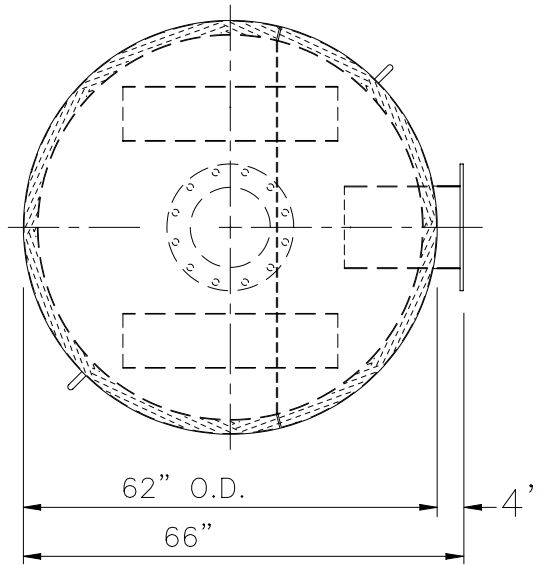
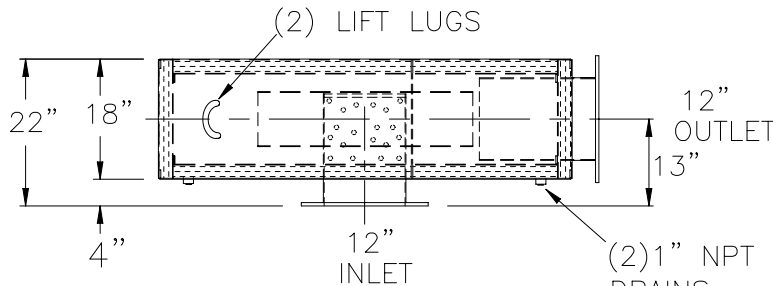


TOP VIEW



12" OUTLET FLANGE
 1/2" PLATE, 19" O.D.
 (12) 1" DIA. HOLES
 ON 17" B.C.
 STRADDLE C.L.

SIDE VIEW



(2) LIFT LUGS
 12" INLET FLANGE
 1/2" PLATE, 19" O.D.
 (12) 1" DIA. HOLES
 ON 17" B.C.
 STRADDLE C.L.

12" INLET
 12" OUTLET
 (2) 1" NPT
 DRAINS
 W/PLUGS

SERVICE: EXHAUST SILENCER FOR RECIPROCATING ENGINE
 PRESSURE DROP: $(4.0) \times (\text{VELOCITY HEAD IN 12"})$

| | | | | | | | | |
|-------------------------|----|-----|-----|-----|----|----|----|----|
| OCTAVE BAND | 63 | 125 | 250 | 500 | 1k | 2k | 4k | 8k |
| TYPICAL ATTENUATION, dB | 18 | 25 | 30 | 35 | 35 | 34 | 32 | 31 |

MATERIALS OF CONSTRUCTION:

- SHELL: 12 GAGE CARBON STEEL
- HEADS: 10 GAGE CARBON STEEL
- PERFO: 12 GA C.S.
- PACKING: 2" FIBERGLASS (TOP, BOTTOM, SIDE WALL)

CERTIFICATION

EXTERNAL PAINT: HIGH TEMP BLACK

CUSTOMER: _____

CUSTOMER P.O. NO.: _____

WEIGHT: 900 LBS.

DATE: _____ BY: _____

MAXIM SILENCERS

12" MD26 COMPACT EXHAUST SILENCER

(CRITICAL GRADE, INTERNALLY INSULATED)

| | | | | | | | | | |
|-----|-----------|-------|----------|---------|-----|---------|-----------|-------------|-----|
| | | | | DRAWN | TJW | 7/31/03 | ORDER NO. | DRAWING NO. | REV |
| | | | | CHECKED | JJ | 11/4/03 | | 12MD26_STD | |
| No. | REVISIONS | APPR. | APPROVED | | | | | | |