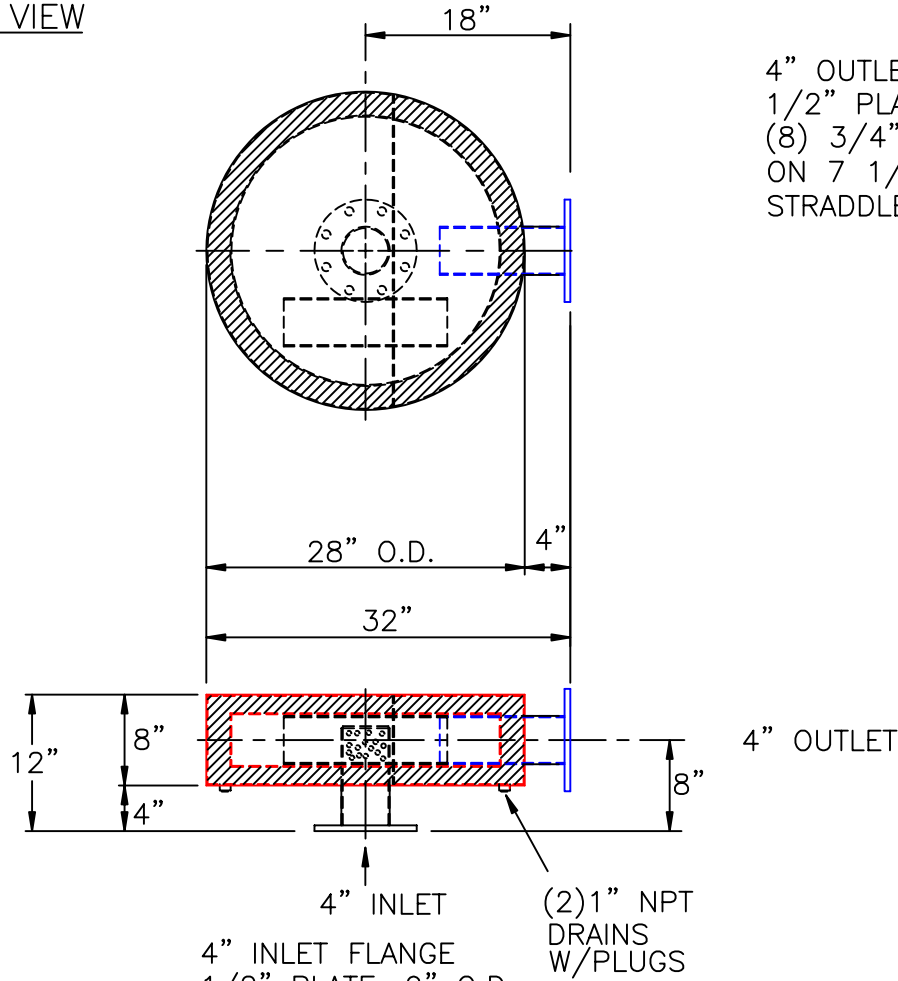


TOP VIEW



4" OUTLET FLANGE  
 1/2" PLATE, 9" O.D.  
 (8) 3/4" DIA. HOLES  
 ON 7 1/2" B.C.  
 STRADDLE C.L.

SIDE VIEW

4" INLET FLANGE  
 1/2" PLATE, 9" O.D.  
 (8) 3/4" DIA. HOLES  
 ON 7 1/2" B.C.  
 STRADDLE C.L.

MATERIALS OF CONSTRUCTION:

- SHELL: 12 GAGE CARBON STEEL
- HEADS: 10 GAGE CARBON STEEL
- PERFO: 12 GA CARBON STEEL
- PACKING: 1.5" OR 2" FIBERGLASS (TOP, BOTTOM, SIDE WALL)

CERTIFICATION

CUSTOMER: \_\_\_\_\_

CUSTOMER P.O. NO.: \_\_\_\_\_

DATE: \_\_\_\_\_ BY: \_\_\_\_\_

EXTERNAL PAINT: HIGH TEMP BLACK

WEIGHT: 150 LBS.

MAXIM SILENCERS

10635 BRIGHTON LANE  
 STAFFORD, TX 77477  
 PHONE (832) 554-0980  
 FAX (832) 554-0990

4"MD26 COMPACT EXHAUST SILENCER  
 (CRITICAL GRADE, INTERNALLY INSULATED)

DRAWN	TJW	6/24/03	ORDER NO.	DRAWING NO.	REV
-------	-----	---------	-----------	-------------	-----

CHECKED				STD_4MD26	
---------	--	--	--	-----------	--

No.	REVISIONS	APPR.	APPROVED
-----	-----------	-------	----------