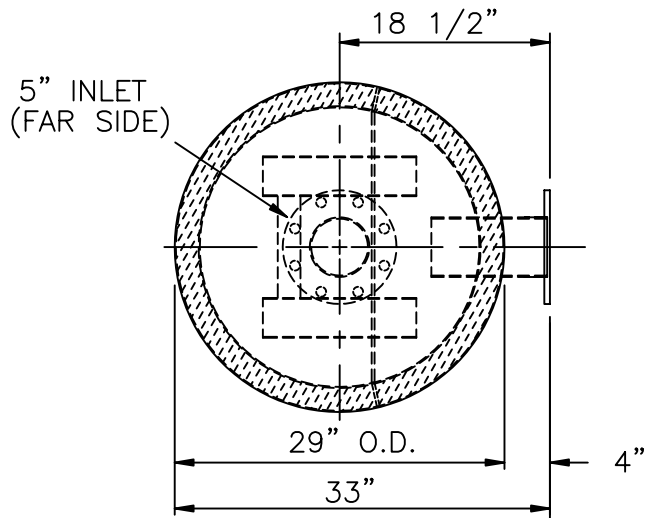
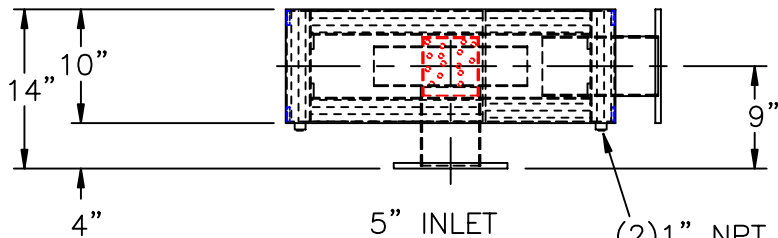


TOP VIEW



5" OUTLET FLANGE
1/2" PLATE, 10" O.D.
(8) 7/8" DIA. HOLES
ON 8 1/2" B.C.
STRADDLE C.L.

SIDE VIEW



5" OUTLET

5" INLET
5" INLET FLANGE
1/2" PLATE, 10" O.D.
(8) 7/8" DIA. HOLES
ON 8 1/2" B.C.
STRADDLE C.L.
(2) 1" NPT
DRAINS
W/PLUGS

SERVICE: ENGINE EXHAUST SILENCER

PRESSURE DROP: (4.0)*(Velocity Head In 5")

SILENCER OVERALL NOISE REDUCTION: 28 - 32 dBA

OCTAVE BAND: 63 125 250 500 1k 2k 4k 8k
TYPICAL ATTENUATION, dB: 11 21 29 33 32 32 30 28

(5" SIZE)

MATERIALS OF CONSTRUCTION:

- SHELL: 12 GAGE CARBON STEEL
- HEADS: 10 GAGE CARBON STEEL
- PERFO: 12 GA CARBON STEEL
- PACKING: 2" FIBERGLASS (ALL WALLS)

CERTIFICATION

CUSTOMER: _____

CUSTOMER P.O. NO.: _____

EXTERNAL PAINT: HIGH TEMP BLACK

DATE: _____ BY: _____

WEIGHT: 171 LBS.

MAXIM SILENCERS

10635 BRIGHTON LANE
STAFFORD, TX 77477
PHONE (832) 554-0980
FAX (832) 554-0990

5" MD26 COMPACT EXHAUST SILENCER
(CRITICAL GRADE, INTERNALLY INSULATED)

DRAWN TJW 9/25/03 ORDER NO. DRAWING NO. REV

CHECKED _____ STD_5MD26

No. REVISIONS APPR. APPROVED