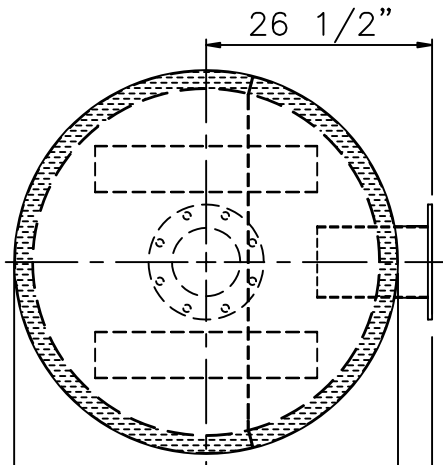
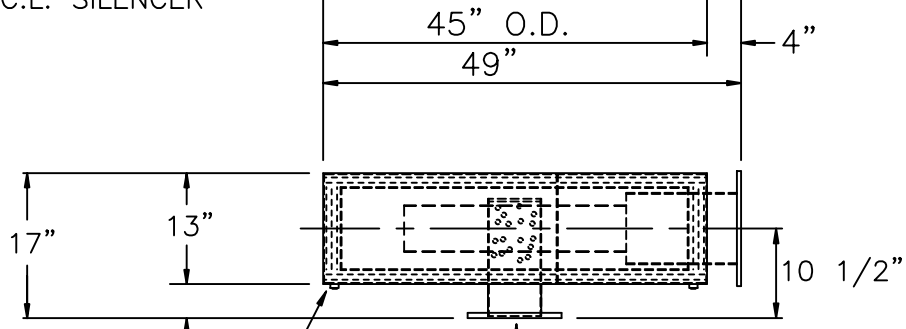


TOP VIEW



8" OUTLET FLANGE
 1/2" PLATE, 13 1/2" O.D.
 (8) 7/8" DIA. HOLES
 ON 11 3/4" B.C.
 STRADDLE C.L.

C.L. 8" INLET &
 C.L. SILENCER



(2) 1" NPT
 DRAINS
 W/PLUGS

8" INLET
 8" INLET FLANGE
 1/2" PLATE, 13 1/2" O.D.
 (8) 7/8" DIA. HOLES
 ON 11 3/4" B.C.
 STRADDLE C.L.

SIDE VIEW

MATERIALS OF CONSTRUCTION:

- SHELL: 12 GAGE CARBON STEEL
- HEADS: 10 GAGE CARBON STEEL
- PERFO: 12 GA CARBON STEEL
- PACKING: 1 1/2" OR 2" FIBERGLASS (TOP, BOTTOM, SIDE WALL)

OCTAVE BAND: 63 125 250 500 1k 2k 4k 8k
TYPICAL ATTN: 10 27 32 37 37 35 32 30

CERTIFICATION

PRESSURE DROP: (4)*(Velocity Head In 8")

CUSTOMER: _____

EXTERNAL PAINT: HIGH TEMP BLACK

CUSTOMER P.O. NO.: _____

WEIGHT: 400 LBS.

DATE: _____ BY: _____

			<h1>MAXIM SILENCERS</h1>		10635 BRIGHTON LANE STAFFORD, TX 77477 PHONE (832) 554-0980 FAX (832) 554-0990	
			<h2>8" MD26 COMPACT EXHAUST SILENCER</h2>			
			(CRITICAL GRADE, INTERNALLY INSULATED)			
	DRAWN	TJW	6/30/03	ORDER NO.	DRAWING NO.	REV
	CHECKED				STD_8MD26	
No.	REVISIONS	APPR.	APPROVED			