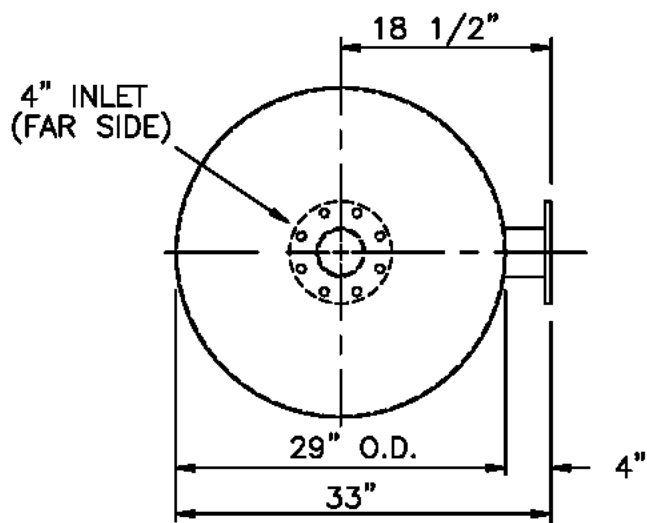
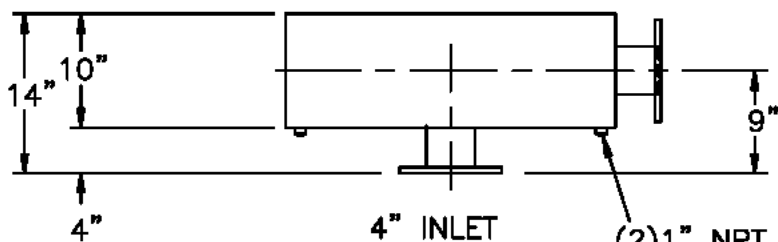


TOP VIEW



4" OUTLET FLANGE
1/2" PLATE, 9" O.D.
(8) 3/4" DIA. HOLES
ON 7 1/2" B.C.
STRADDLE C.L.

SIDE VIEW



4" OUTLET

4" INLET
4" INLET FLANGE
1/2" PLATE, 9" O.D.
(8) 3/4" DIA. HOLES
ON 7 1/2" B.C.
STRADDLE C.L.
(2) 1" NPT
DRAINS
W/PLUGS

SERVICE: ENGINE EXHAUST SILENCER

PRESSURE DROP: (4.0)*(Velocity Head In 4")

SILENCER OVERALL NOISE REDUCTION: 33 - 37 dBA

OCTAVE BAND: 63 125 250 500 1k 2k 4k 8k
TYPICAL ATTENUATION, dB: 20 29 34 37 37 37 35 35

(4" SIZE)

MATERIALS OF CONSTRUCTION:

- SHELL: 12 GAGE CARBON STEEL
- HEADS: 10 GAGE CARBON STEEL
- PERFO: 12 GA CARBON STEEL
- PACKING: 2" FIBERGLASS (ALL WALLS)

EXTERNAL PAINT: HIGH TEMP BLACK

WEIGHT: 165 LBS.

CERTIFICATION

CUSTOMER: _____

CUSTOMER P.O. NO.: _____

DATE: _____ BY: _____

MAXIM
SILENCERS INC.

10635 BRIGHTON LANE
STAFFORD, TEXAS 77477
PHONE (832) 554-0980
FAX (832) 554-0990

4"MD36 COMPACT EXHAUST SILENCER
(CRITICAL GRADE, INTERNALLY INSULATED)

DRAWN	DG	3/16/05	ORDER NO.	DRAWING NO.	REV
-------	----	---------	-----------	-------------	-----

CHECKED	TJW	3/17/05		STD_4MD36	
---------	-----	---------	--	-----------	--

No.	REVISIONS	APPR.	APPROVED	JJ	3/18/05			SHEET 1 OF 1
-----	-----------	-------	----------	----	---------	--	--	--------------