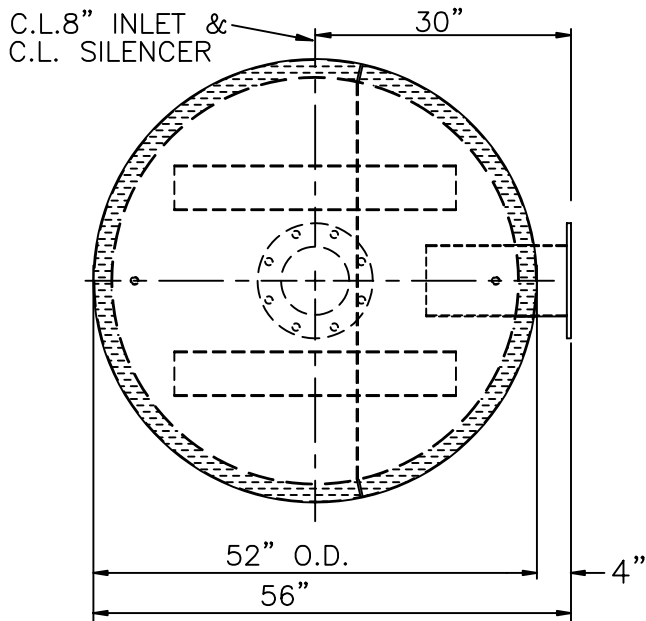
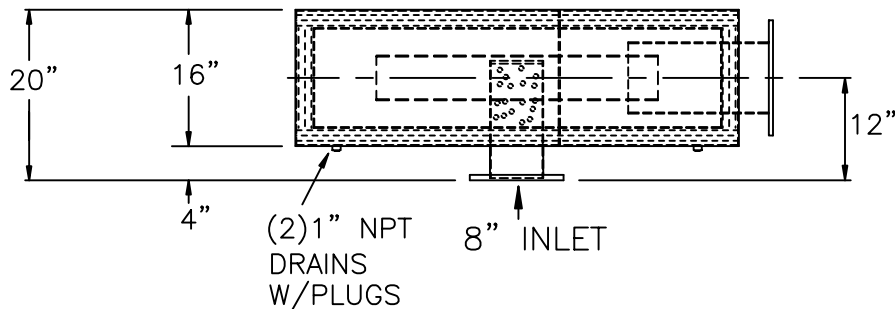


TOP VIEW



8" OUTLET FLANGE
 1/2" PLATE, 13 1/2" O.D.
 (8) 7/8" DIA. HOLES
 ON 11 3/4" B.C.
 STRADDLE C.L.



SIDE VIEW

8" INLET FLANGE
 1/2" PLATE, 13 1/2" O.D.
 (8) 7/8" DIA. HOLES
 ON 11 3/4" B.C.
 STRADDLE C.L.

MATERIALS OF CONSTRUCTION:

- SHELL: 12 GAGE CARBON STEEL
- HEADS: 10 GAGE CARBON STEEL
- PERFO: 12 GA CARBON STEEL
- PACKING: 2" FIBERGLASS (TOP, BOTTOM, SIDE WALL)

<u>OCTAVE BAND:</u>	63	125	250	500	1k	2k	4k	8k
<u>TYPICAL ATTN:</u>	20	28	34	37	37	37	35	36

CERTIFICATION

PRESSURE DROP: (4)*(Velocity Head In 8")

EXTERNAL PAINT: HIGH TEMP BLACK

WEIGHT: 590 LBS.

CUSTOMER: _____

CUSTOMER P.O. NO.: _____

DATE: _____ BY: _____

MAXIM SILENCERS

10635 BRIGHTON LANE
 STAFFORD, TX. 77477
 PHONE (832) 554-0980
 FAX (832) 554-0990

8"MD36 COMPACT EXHAUST SILENCER
 (CRITICAL GRADE, INTERNALLY INSULATED)

DRAWN	TJW	7/26/04	ORDER NO.	DRAWING NO.	REV
CHECKED				STD_8MD36	

No.	REVISIONS	APPR.	APPROVED
-----	-----------	-------	----------