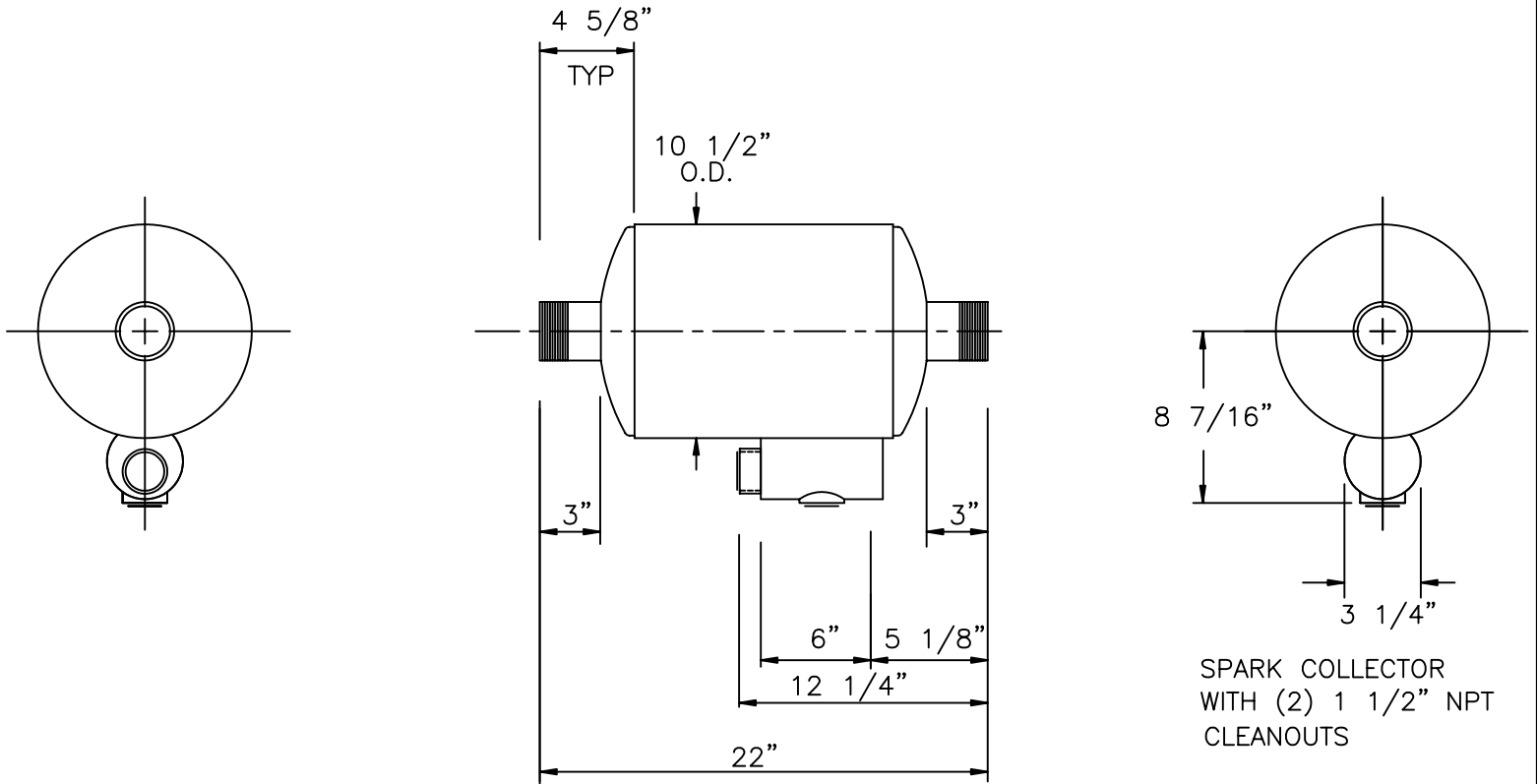


INLET AND OUTLET:  
2 1/2" MNPT



SPARK COLLECTOR  
WITH (2) 1 1/2" NPT  
CLEANOUTS

SERVICE: SPARK ARRESTING EXHAUST SILENCER FOR RECIPROCATING ENGINE

OCTAVE BAND 63 125 250 500 1K 2K 4K 8K  
INSERTION LOSS 4 16 24 24 21 16 16 17

SILENCER PRESSURE DROP: (4.0)\*(Velocity Head In 2 1/2" I.D. Duct)

MATERIALS OF CONSTRUCTION : CARBON STEEL

SHELL: 16 GAGE (0.065")  
HEADS AND BAFFLES: 14 GAGE (0.075"), F&D  
INLET AND OUTLET: 2 1/2" SCH 40, MNPT

EXTERNAL PAINT : FLAT BLACK, HIGH TEMPERATURE

WEIGHT: 26 LBS

CERTIFICATION

CUSTOMER: \_\_\_\_\_

CUSTOMER P.O. NO.: \_\_\_\_\_

DATE: \_\_\_\_\_ BY: \_\_\_\_\_

MAXIM SILENCERS

10635 BRIGHTON LANE  
STAFFORD, TX 77477  
PHONE (832) 554-0980  
FAX (832) 554-0990

2 1/2"MSA1 SPARK ARRESTING EXHAUST SILENCER

DRAWN TJW 8/8/01 ORDER NO. DRAWING NO. REV

CHECKED \_\_\_\_\_ STD2.5MSA1

No. REVISIONS APPR. APPROVED Sheet 1 of 1