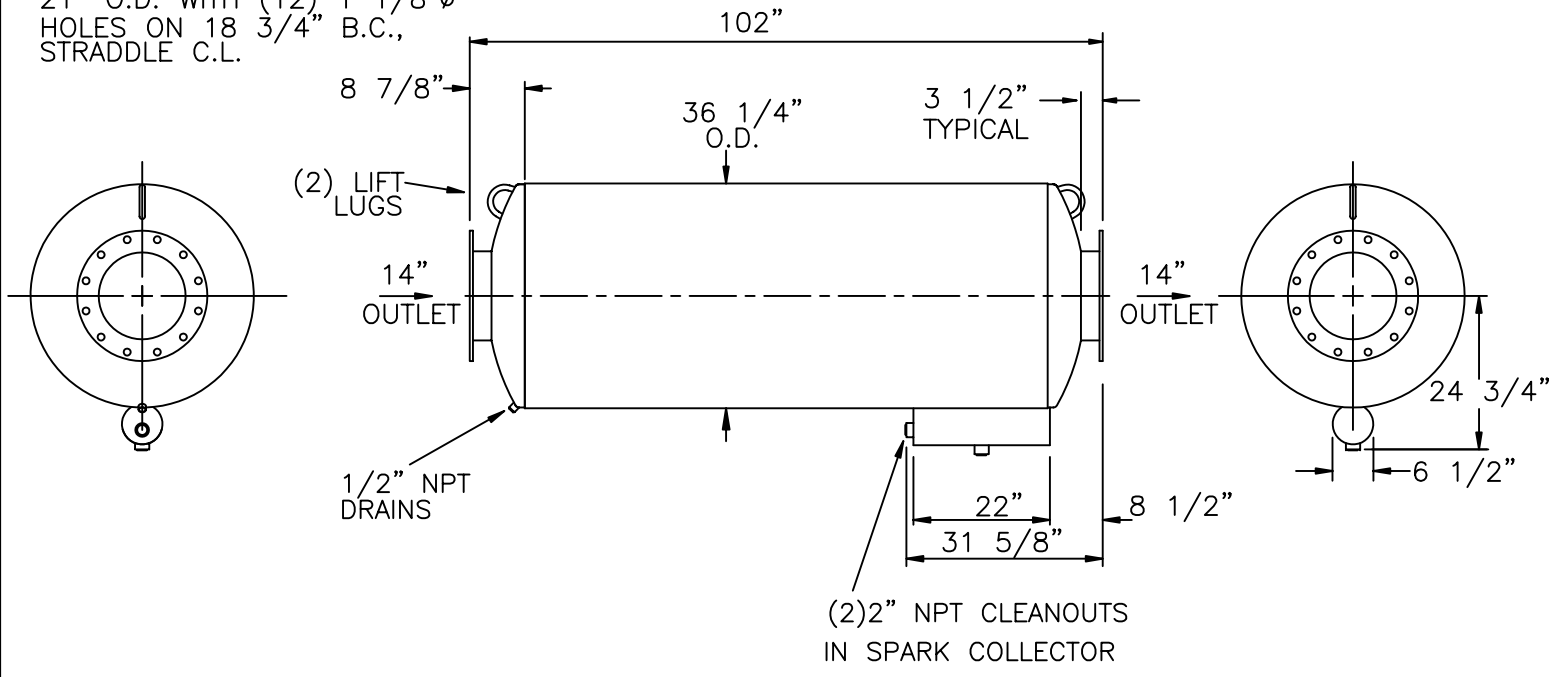


INLET AND OUTLET FLANGES:
 1/2" PLATE, 14" 150# DRILLING
 21" O.D. WITH (12) 1 1/8" Ø
 HOLES ON 18 3/4" B.C.,
 STRADDLE C.L.



SERVICE: SPARK ARRESTING EXHAUST SILENCER FOR RECIPROCATING ENGINE

OCTAVE BAND	63	125	250	500	1K	2K	4K	8K
INSERTION LOSS	18	29	29	24	20	20	22	24

SILENCER PRESSURE DROP: 4*Velocity Head in 14" Duct

MATERIALS OF CONSTRUCTION: CARBON STEEL

SHELL: 12 GAGE CARBON STEEL
 HEADS AND BAFFLES: 3/16", F&D
 FLANGES: 1/2" PLATE

EXTERNAL PAINT: FLAT BLACK, HIGH TEMPERATURE

WEIGHT: 965 LBS

CERTIFICATION

CUSTOMER: _____

CUSTOMER P.O. NO.: _____

DATE: _____ BY: _____

MAXIM SILENCERS

10635 BRIGHTON LANE
 STAFFORD, TX 77477
 PHONE (832) 554-0980
 FAX (832) 554-0990

14"MSA2 SPARK ARRESTING EXHAUST SILENCER

				DRAWN	TJW	9/13/02	ORDER NO.	DRAWING NO.	REV
				CHECKED				STD14MSA2	
No.	REVISIONS	APPR.	APPROVED					Sheet 1 of 1	