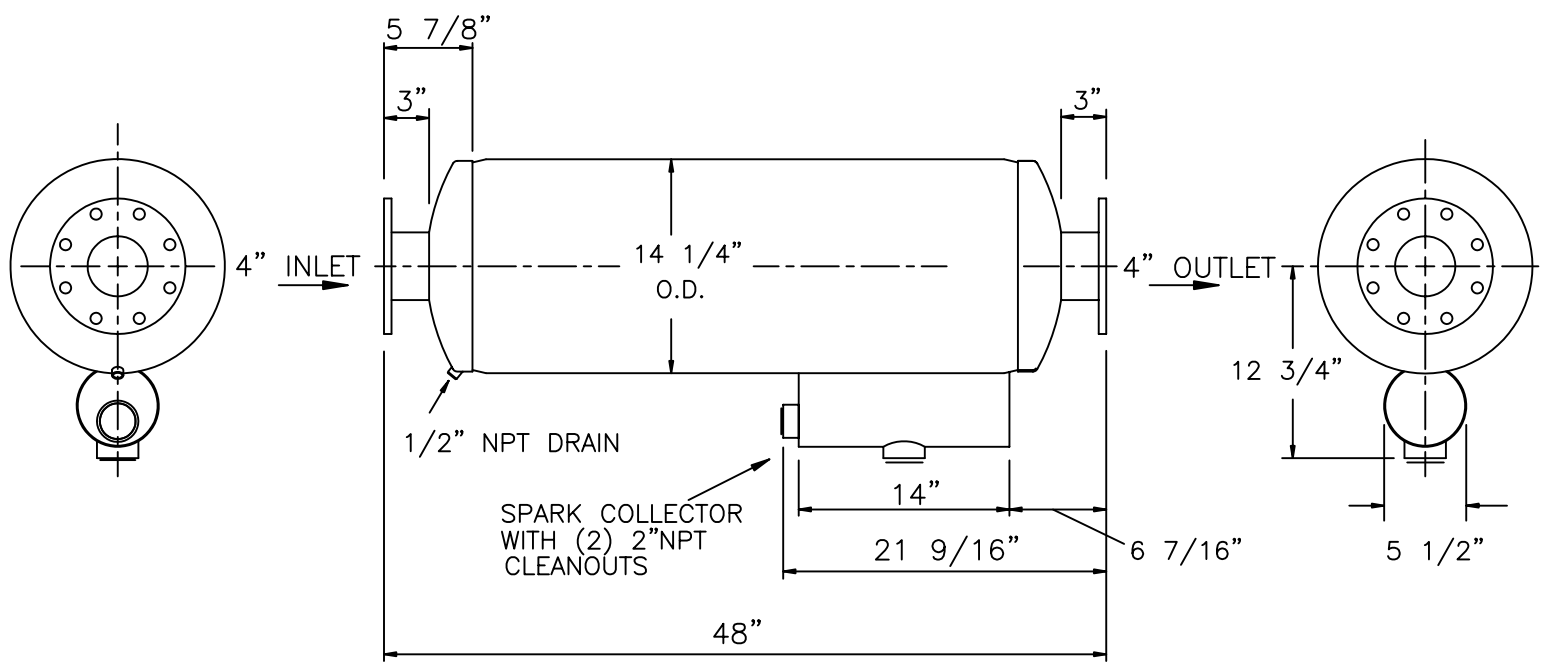


INLET AND OUTLET FLANGES:
 1/2" PLATE, 4" 150# DRILLING
 9" O.D. WITH (8) 3/4" ϕ
 HOLES ON 7 1/2" B.C.,
 STRADDLE C.L.



SERVICE: SPARK ARRESTING EXHAUST SILENCER
 FOR RECIPROCATING ENGINE

OCTAVE BAND	63	125	250	500	1K	2K	4K	8K
INSERTION LOSS	11	19	29	28	22	20	19	20

SILENCER PRESSURE DROP:
 (4.0)*(Velocity Head In 4" I.D. Duct)

MATERIALS OF CONSTRUCTION: CARBON STEEL
 SHELL: 1/8"
 HEADS AND BAFFLES: 12 GAGE, F&D
 FLANGES: 1/2" PLATE

EXTERNAL PAINT: FLAT BLACK,
 HIGH TEMPERATURE

WEIGHT: 110 LBS

CERTIFICATION

CUSTOMER: _____
 CUSTOMER P.O. NO.: _____
 DATE: _____ BY: _____

MAXIM SILENCERS	10635 BRIGHTON LANE STAFFORD, TX. 77477 PHONE (832) 554-0980 FAX (832) 554-0990
	4"MSA2 SPARK ARRESTING EXHAUST SILENCER

					DRAWN	TJW	11/25/02	ORDER NO.	DRAWING NO.	REV
					CHECKED				STD_4MSA2	
No.	REVISIONS	APPR.	APPROVED						Sheet 1 of 1	