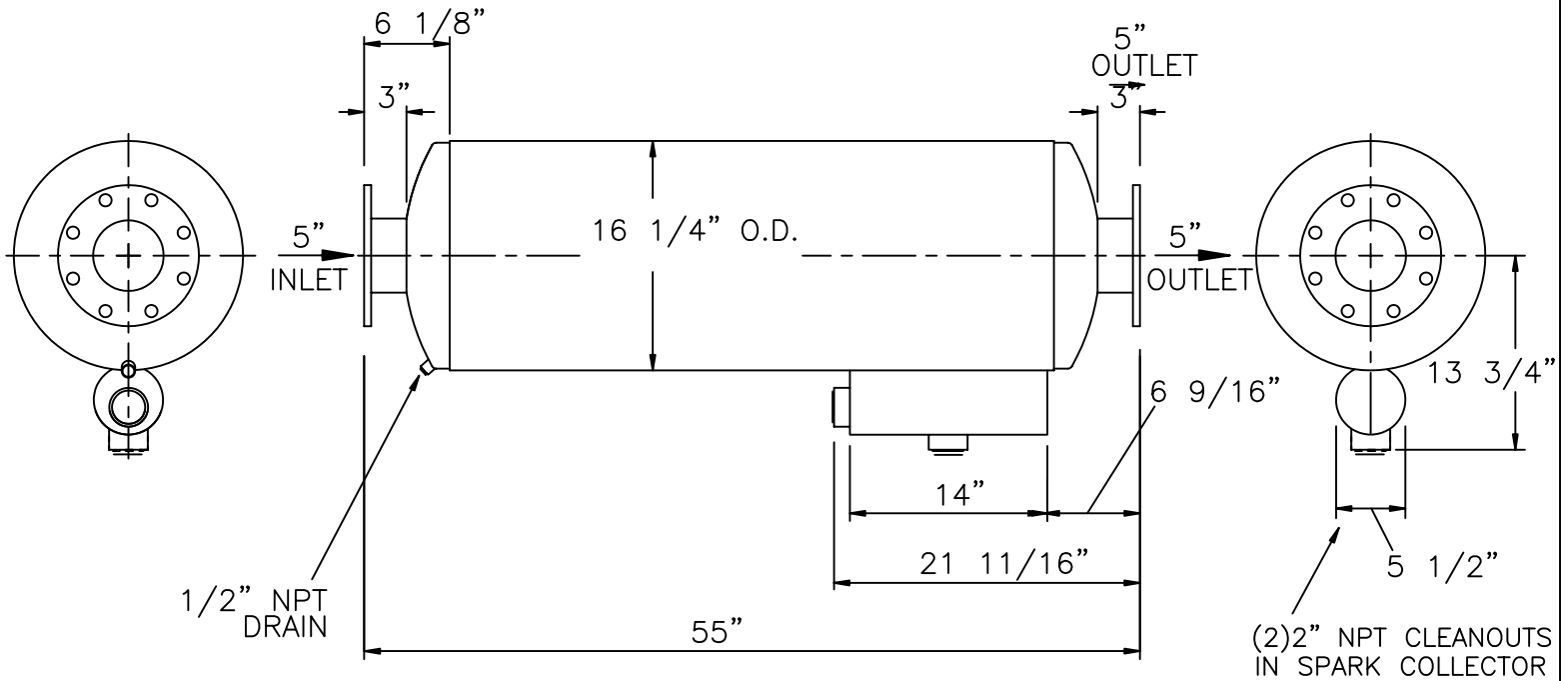


INLET FLANGE:
 1/2" PLATE, 5" 150# DRILLING
 10" O.D. WITH (8) 7/8"φ
 HOLES ON 8 1/2" B.C.,
 STRADDLE C.L.

OUTLET FLANGE:
 1/2" PLATE, 5" 150# DRILLING
 10" O.D. WITH (8) 7/8"φ
 HOLES ON 8 1/2" B.C.,
 STRADDLE C.L.



SERVICE: SPARK ARRESTING EXHAUST SILENCER FOR RECIPROCATING ENGINE

OCTAVE BAND	63	125	250	500	1K	2K	4K	8K
INSERTION LOSS	11	19	29	28	22	20	19	20

SILENCER PRESSURE DROP: (4.0)*(VELOCITY HEAD IN 5" I.D. DUCT)

MATERIALS OF CONSTRUCTION: CARBON STEEL

SHELL: 1/8" (12 GAGE)
 HEADS AND BAFFLES: 12 GAGE, F&D
 FLANGES: 1/2" PLATE

EXTERNAL PAINT: FLAT BLACK, HIGH TEMPERATURE

WEIGHT: 120 LBS

CERTIFICATION

CUSTOMER: _____

CUSTOMER P.O. NO.: _____

DATE: _____ BY: _____

MAXIM SILENCERS

10635 BRIGHTON LANE
 STAFFORD, TX. 77477
 PHONE (832) 554-0980
 FAX (832) 554-0990

5"MSA2 SPARK ARRESTING EXHAUST SILENCER

DRAWN	TJW	7/29/03	ORDER NO.	DRAWING NO.	REV
-------	-----	---------	-----------	-------------	-----

CHECKED				STD_5MSA2	
---------	--	--	--	-----------	--

No.	REVISIONS	APPR.	APPROVED			Sheet 1 of 1
-----	-----------	-------	----------	--	--	--------------