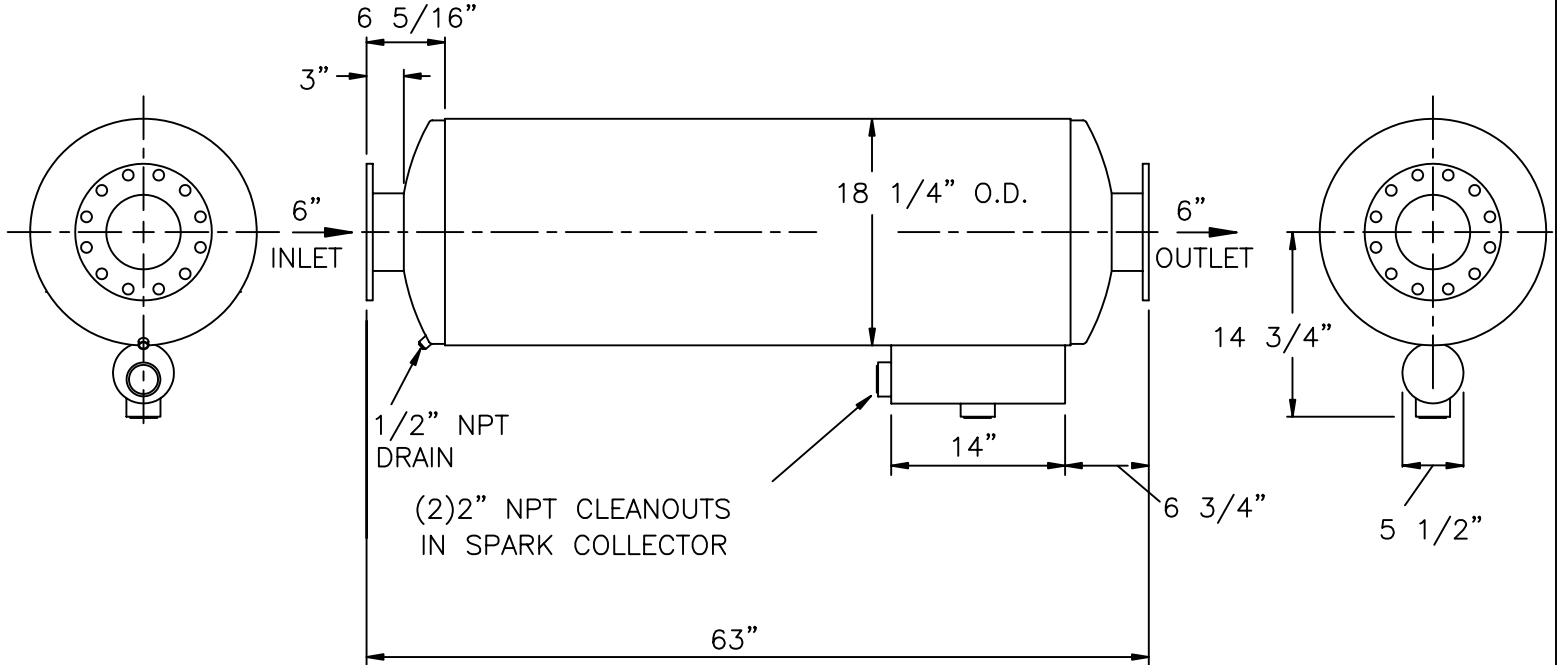


INLET AND OUTLET FLANGES:  
 1/2" PLATE, 6" 150# DRILLING  
 11" O.D. WITH (8) 7/8"Ø  
 HOLES ON 9 1/2" B.C.,  
 STRADDLE C.L.



SERVICE: SPARK ARRESTING EXHAUST SILENCER FOR  
 RECIPROCATING ENGINE

OCTAVE BAND    63   125   250   500   1K   2K   4K   8K  
 INSERTION LOSS   11   19   29   28   22   20   19   20

SILENCER PRESSURE DROP: (4.0)\*(Velocity Head In 6")

MATERIALS OF CONSTRUCTION: CARBON STEEL

SHELL: 12 GAGE CARBON STEEL  
 HEADS AND BAFFLES: 12 GAGE, F&D  
 FLANGES: 1/2" PLATE

EXTERNAL PAINT: FLAT BLACK,  
 HIGH TEMPERATURE

WEIGHT: 170 LBS

CERTIFICATION

CUSTOMER: \_\_\_\_\_

CUSTOMER P.O. NO.: \_\_\_\_\_

DATE: \_\_\_\_\_ BY: \_\_\_\_\_

MAXIM SILENCERS

10635 BRIGHTON LANE  
 STAFFORD, TX. 77477  
 PHONE (832) 554-0980  
 FAX (832) 554-0990

6"MSA2 SPARK ARRESTING EXHAUST SILENCER

DRAWN	TJW	21SEP00	ORDER NO.	DRAWING NO.	REV
-------	-----	---------	-----------	-------------	-----

CHECKED				STD_6MSA2	
---------	--	--	--	-----------	--

No.	REVISIONS	APPR.	APPROVED	SHEET	Sheet 1 of 1
-----	-----------	-------	----------	-------	--------------