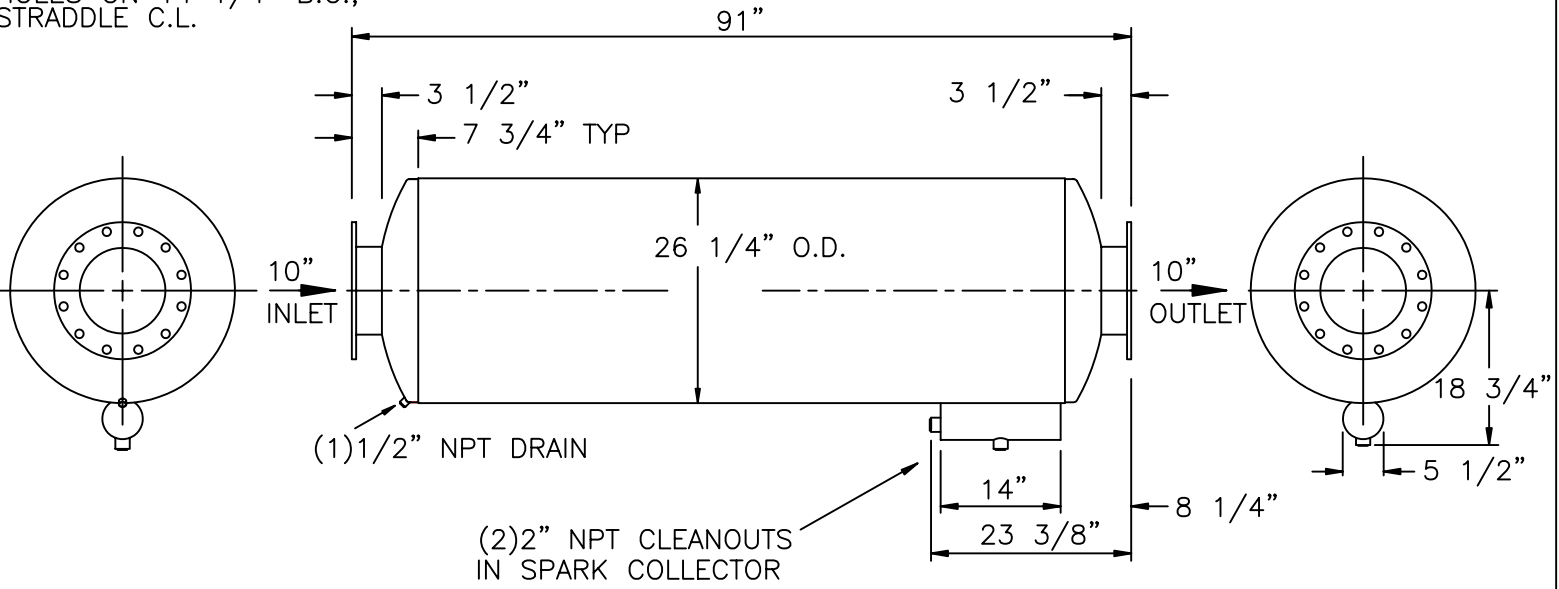


INLET AND OUTLET FLANGES:
 1/2" PLATE, 10" 150# DRILLING
 16" O.D. WITH (12) 1" ϕ
 HOLES ON 14 1/4" B.C.,
 STRADDLE C.L.



SERVICE : SPARK ARRESTING EXHAUST SILENCER FOR RECIPROCATING ENGINE

OCTAVE BAND	63	125	250	500	1K	2K	4K	8K
INSERTION LOSS	14	23	31	27	21	19	19	22

SILENCER PRESSURE DROP: 4*Velocity Head in 10" Duct

MATERIALS OF CONSTRUCTION: CARBON STEEL

SHELL: 12 GAGE
 HEADS AND BAFFLES: 10 GAGE, F&D
 FLANGES: 1/2" PLATE

EXTERNAL PAINT: FLAT BLACK, HIGH TEMPERATURE

WEIGHT: 460 LBS

CERTIFICATION

CUSTOMER: _____

CUSTOMER P.O. NO.: _____

DATE: _____ BY: _____

				MAXIM SILENCERS		10635 BRIGHTON LANE STAFFORD, TEXAS 77477 PHONE (832) 554-0980 FAX (832) 554-0990			
				10"MSA2 SPARK ARRESTING EXHAUST SILENCER					
				DRAWN	TJW	1/15/02	ORDER NO.	DRAWING NO.	REV
				CHECKED				STD_10MSA2	
No.	REVISIONS	APPR.	APPROVED					Sheet 1 of 1	