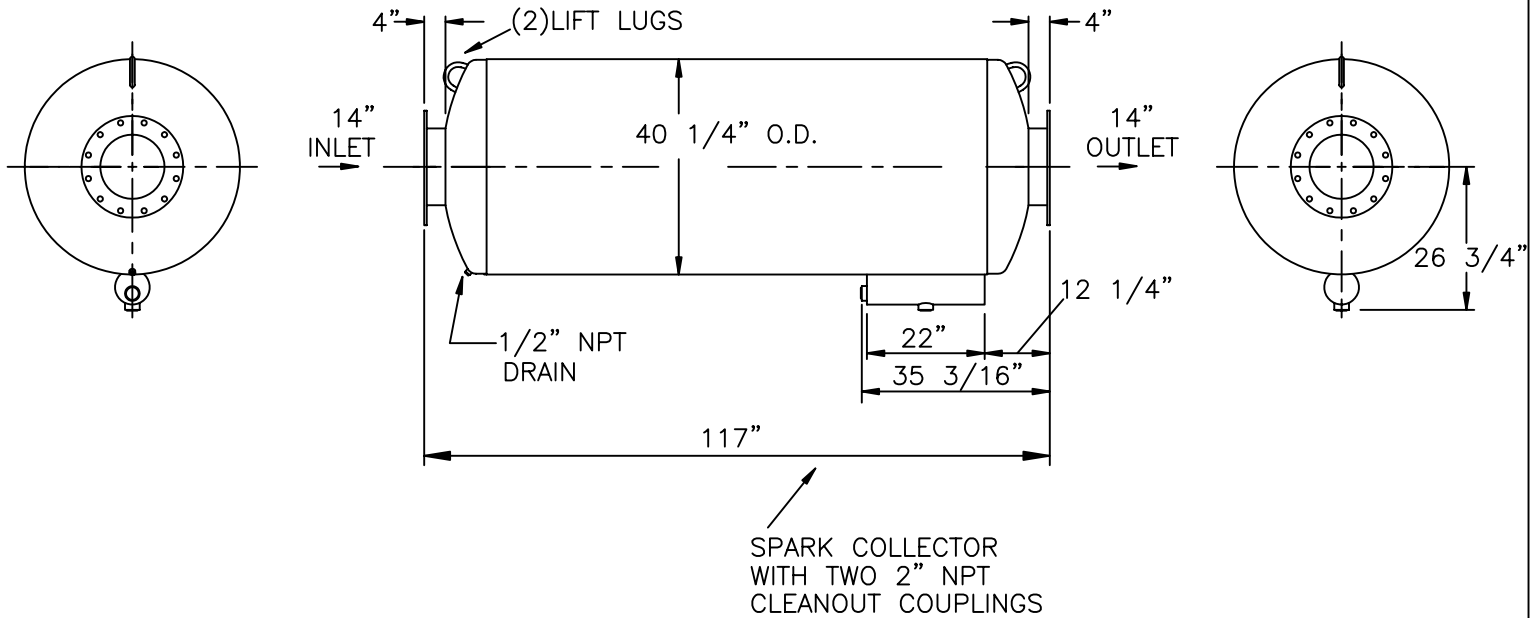


INLET FLANGE:
 1/2" PLATE,
 14" 150# DRILLING
 21" O.D. WITH (12) 1 1/8"φ
 HOLES ON 18 3/4" B.C.,
 STRADDLE C.L.

OUTLET FLANGE:
 1/2" PLATE,
 14" 150# DRILLING
 21" O.D. WITH (12) 1 1/8"φ
 HOLES ON 18 3/4" B.C.,
 STRADDLE C.L.



SERVICE: SPARK ARRESTING EXHAUST SILENCER FOR RECIPROCATING ENGINE

OCTAVE BAND 63 125 250 500 1K 2K 4K 8K
 INSERTION LOSS 28 35 33 26 23 23 24 25

SILENCER PRESSURE DROP:
 (6.0)*(Velocity Head) IN 14" I.D. DUCT

MATERIALS OF CONSTRUCTION: CARBON STEEL
 SHELL: 3/16" WITH 16 GAGE INTERNAL LAMINATIONS
 HEADS AND BAFFLES: 1/4" F&D
 FLANGES: 1/2" PLATES

CERTIFICATION

CUSTOMER: _____

CUSTOMER P.O. NO.: _____

EXTERNAL PAINT: HIGH TEMPERATURE BLACK

DATE: _____ BY: _____

WEIGHT: 1300 LBS

				MAXIM SILENCERS		10635 BRIGHTON LANE STAFFORD, TX. 77477 PHONE (832) 554-0980 FAX (832) 554-0990		
				14"MSA3 SPARK ARRESTING EXHAUST SILENCER				
		DRAWN	TJW	6/1/04	ORDER NO.	DRAWING NO.	REV	
		CHECKED				STD_14MSA3		
No.	REVISIONS	APPR.	APPROVED	TJW	6/1/04			