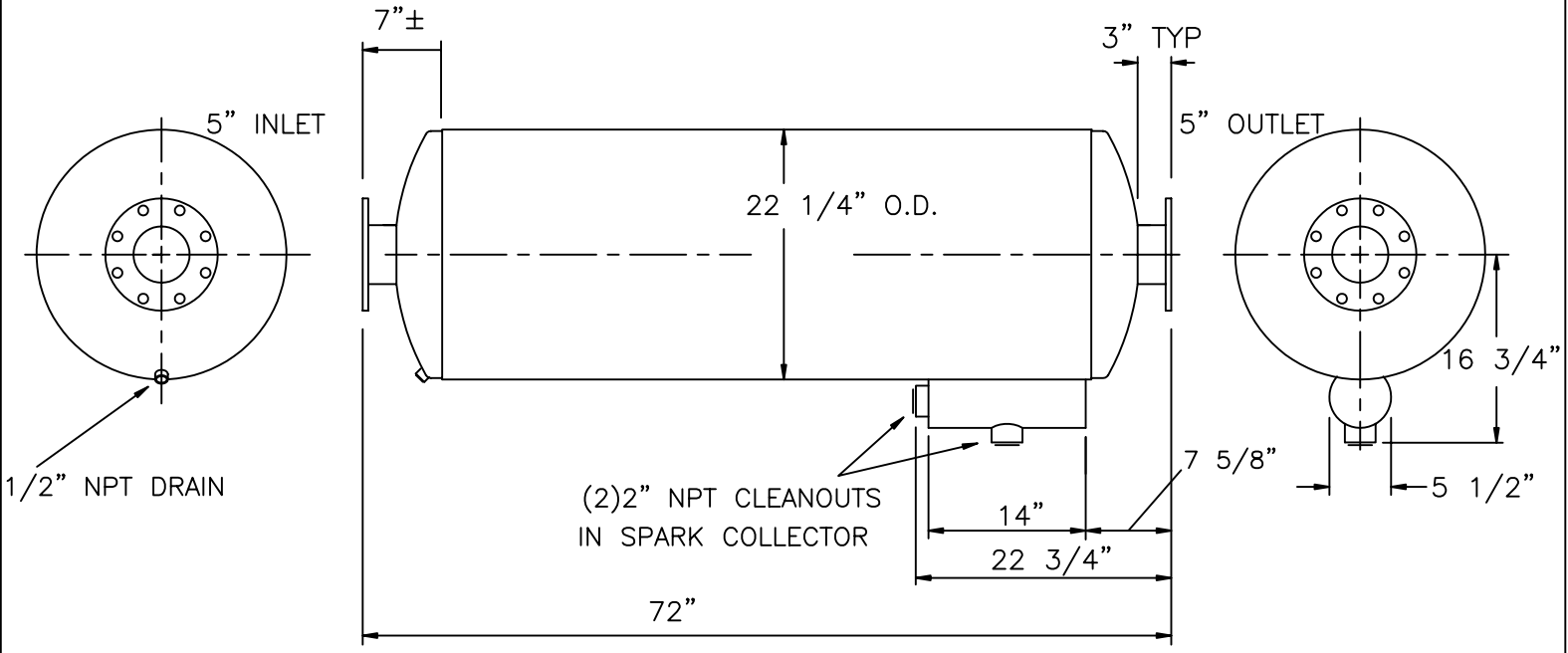


INLET AND OUTLET FLANGES:
 1/2" PLATE, 5" 150# DRILLING
 10" O.D. WITH (8) 7/8"Ø
 HOLES ON 8 1/2" B.C.,
 STRADDLE C.L.



SERVICE : SPARK ARRESTING EXHAUST SILENCER FOR RECIPROCATING ENGINE

| | | | | | | | | |
|----------------|----|-----|-----|-----|----|----|----|----|
| OCTAVE BAND | 63 | 125 | 250 | 500 | 1K | 2K | 4K | 8K |
| INSERTION LOSS | 18 | 27 | 35 | 35 | 30 | 28 | 28 | 28 |

SILENCER PRESSURE DROP: (6.0)(Velocity Head in 5" Duct)

MATERIALS OF CONSTRUCTION: CARBON STEEL

SHELL: DOUBLE WRAP 16 GAGE
 HEADS AND BAFFLES: 10 GAGE, F&D
 FLANGES: 1/2" PLATE

CERTIFICATION

CUSTOMER: _____

CUSTOMER P.O. NO.: _____

EXTERNAL PAINT : FLAT BLACK, HIGH TEMPERATURE

DATE: _____ BY: _____

WEIGHT: 300 LBS

MAXIM SILENCERS

10635 BRIGHTON LANE
 STAFFORD, TX 77477
 PHONE (832) 554-0980
 FAX (832) 554-0990

5"MSA4 SPARK ARRESTING EXHAUST SILENCER

| | | | | | |
|---------|-----|---------|-----------|-------------|-----|
| DRAWN | TJW | 10/1/01 | ORDER NO. | DRAWING NO. | REV |
| CHECKED | | | | STD_5MSA4 | |

| | | | | | | |
|-----|-----------|-------|----------|--|--|--------------|
| No. | REVISIONS | APPR. | APPROVED | | | Sheet 1 of 1 |
|-----|-----------|-------|----------|--|--|--------------|