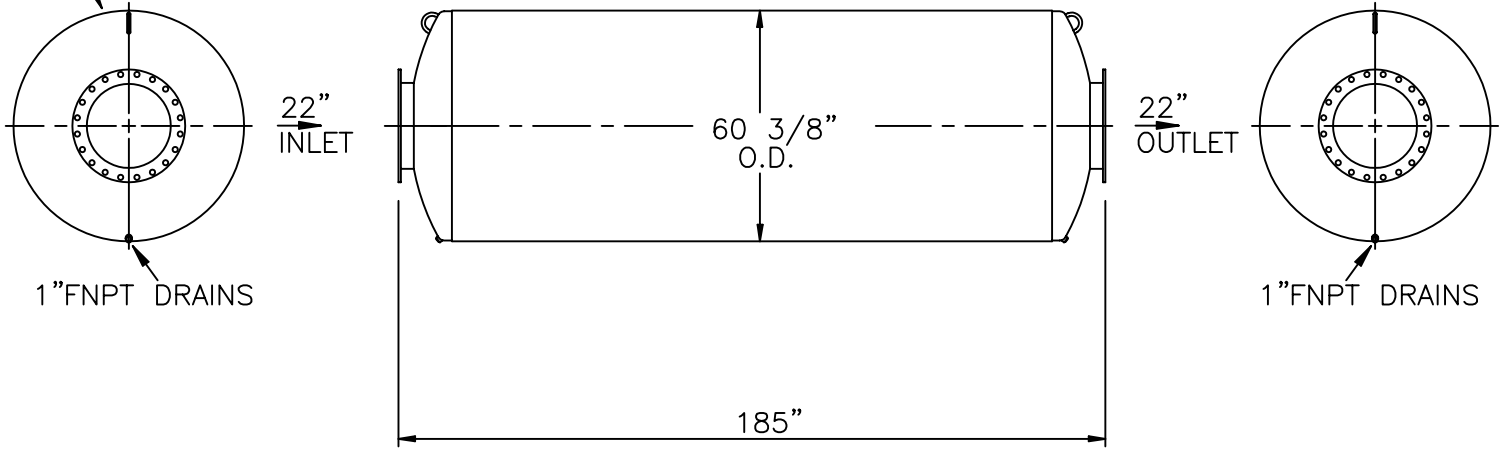


22" INLET FLANGE  
 5/8" PLATE, 29 1/2" O.D.  
 (20) 1 3/8" DIA HOLES  
 ON 27 1/4" B.C.,  
 STRADDLE VERTICAL C.L.

(2) LIFT  
 LUGS

22" OUTLET FLANGE  
 5/8" PLATE, 29 1/2" O.D.  
 (20) 1 3/8" DIA HOLES  
 ON 27 1/4" B.C.,  
 STRADDLE VERTICAL C.L.



NOTES :

1. SERVICE: LOW PRESSURE DROP EXHAUST SILENCER
2. PRESSURE DROP:  $(0.4) \times (\text{Velocity Head In } 22" \text{ Duct})$
3. NOISE REDUCTION:
 

OCTAVE BAND	63	125	250	500	1K	2K	4K	8K
ATTENUATION	17	32	30	20	14	13	13	13
4. MATERIALS OF CONSTRUCTION :  
 SHELL : 3/16" CARBON STEEL  
 HEADS AND BAFFLE : 1/4" CARBON STEEL
5. EXTERNAL PAINT: HIGH TEMPERATURE BLACK
6. WEIGHT: 3400 LBS

CERTIFICATION

CUSTOMER: \_\_\_\_\_

CUSTOMER P.O. NO.: \_\_\_\_\_

DATE: \_\_\_\_\_ BY: \_\_\_\_\_

MAXIM SILENCERS

601 BENTON KELLY STREET  
 SHREVEPORT, LA. 71106-7198  
 PHONE (318) 865-6351  
 FAX (318) 868-1701

22" MT41 EXHAUST SILENCER

				DRAWN	TJW	9/12/02	ORDER NO.	DRAWING NO.	REV
				CHECKED				STD22MT41	
No.	REVISIONS	APPR.	APPROVED				SHEET		