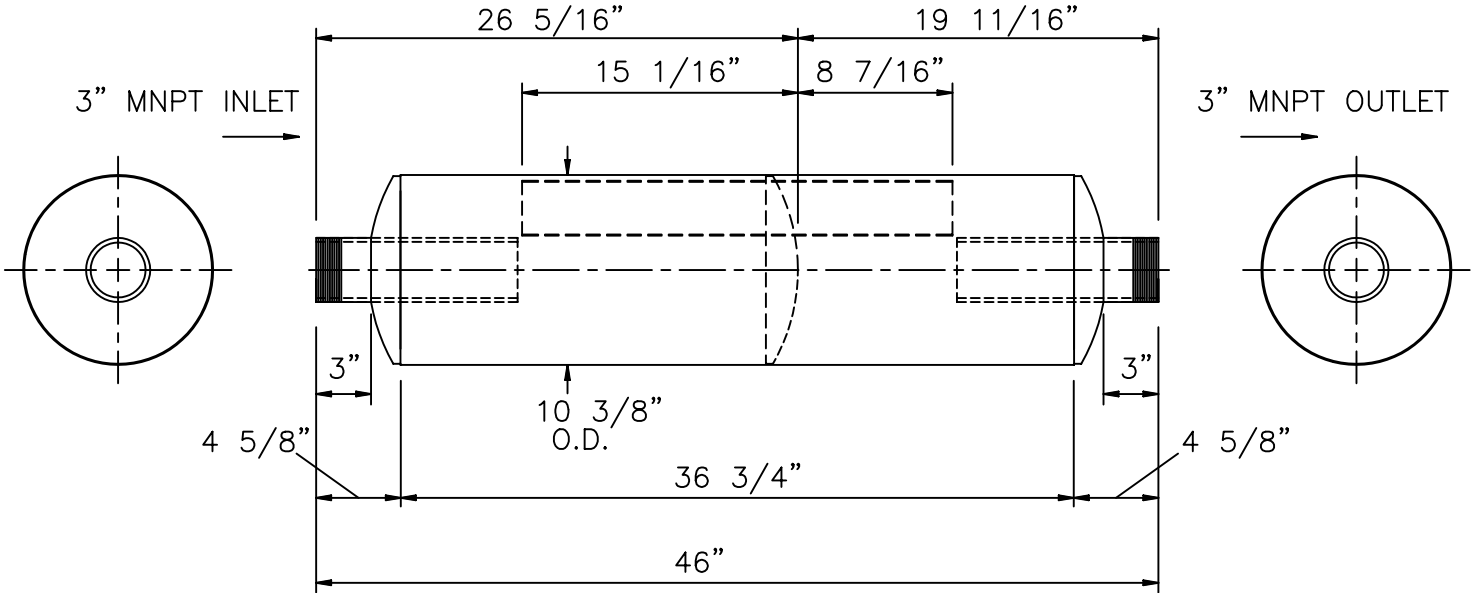


BAFFLE TUBE: 3" O.D. x 0.065" THICK WALL x 23 1/2" LONG  
 INLET AND OUTLET PIPES: 3" SCH 40 CARBON STEEL PIPE, MNPT, 11" LONG



SERVICE: EXHAUST SILENCER FOR RECIPROCATING ENGINE

OCTAVE BAND	63	125	250	500	1K	2K	4K	8K
INSERTION LOSS	4	10	23	27	22	19	19	20

SILENCER PRESSURE DROP: (4.0)\*(Velocity Head In 3" I.D. Duct)

MATERIALS OF CONSTRUCTION:

SHELL: 16 GAGE ALUMINIZED STEEL  
 HEADS AND BAFFLES: 14 GAGE, F&D, ALUMINIZED STEEL  
 INLET AND OUTLET: 3" SCH 40 CARBON STEEL PIPE, MNPT

EXTERNAL PAINT: NONE

CERTIFICATION

WEIGHT: 50 LBS

CUSTOMER: \_\_\_\_\_

CUSTOMER P.O. NO.: \_\_\_\_\_

DATE: \_\_\_\_\_ BY: \_\_\_\_\_

MAXIM SILENCERS

10635 BRIGHTON LANE  
 STAFFORD, TX, 77477  
 PHONE (832) 554-0980  
 FAX (832) 554-0990

3" MUL EXHAUST SILENCER

DRAWN	TJW	10/14/04	ORDER NO.	DRAWING NO.	REV
-------	-----	----------	-----------	-------------	-----

CHECKED				STD_3MUL	
---------	--	--	--	----------	--

No.	REVISIONS	APPR.	APPROVED			Sheet 1 of 1
-----	-----------	-------	----------	--	--	--------------